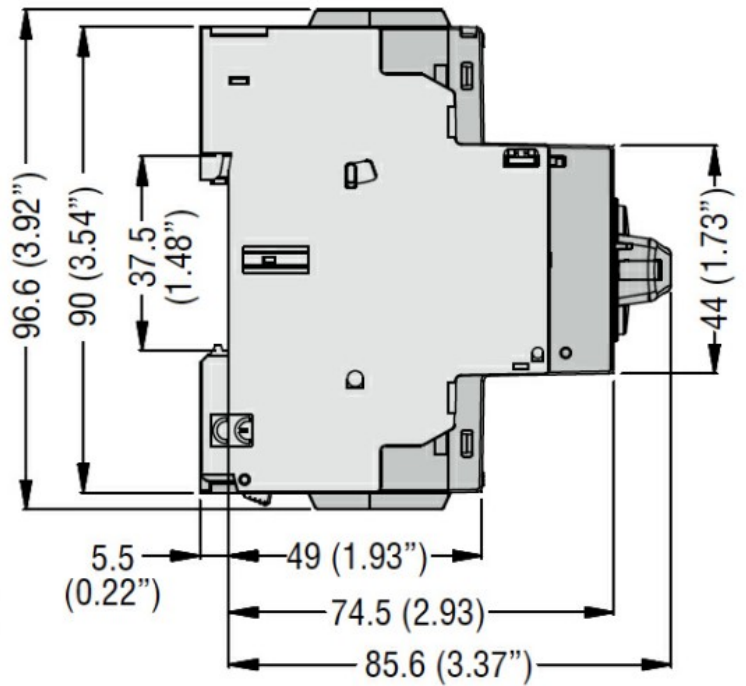
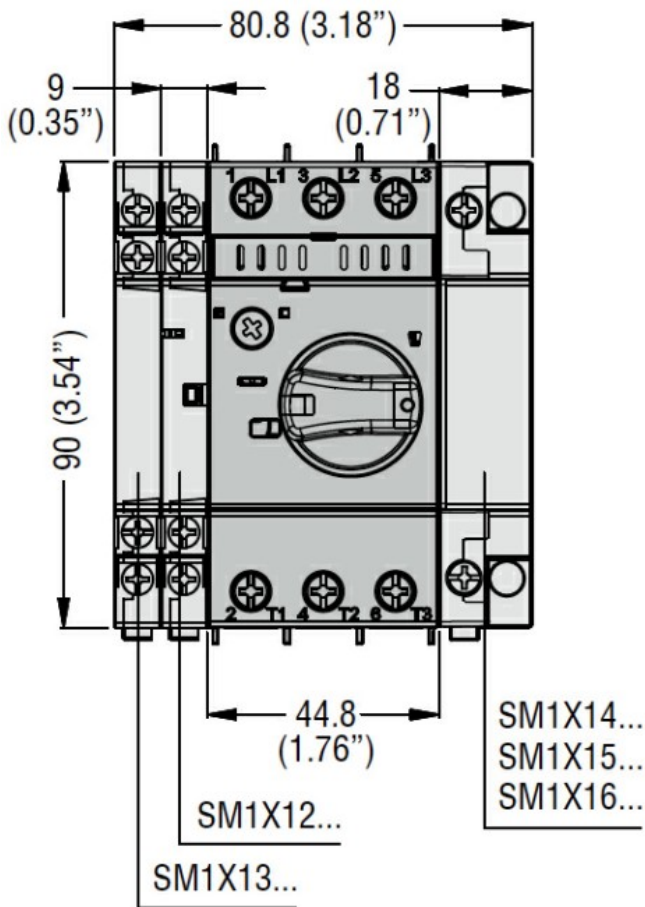




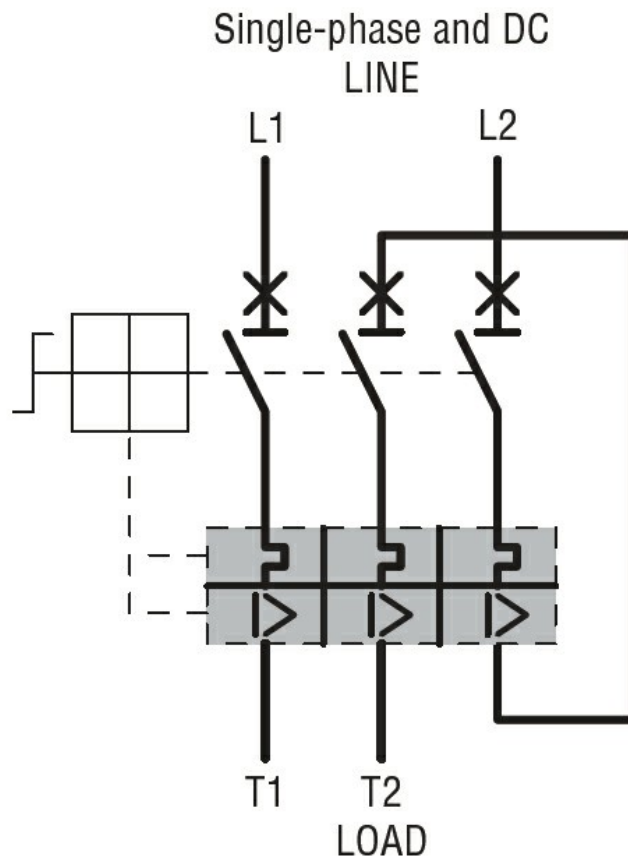
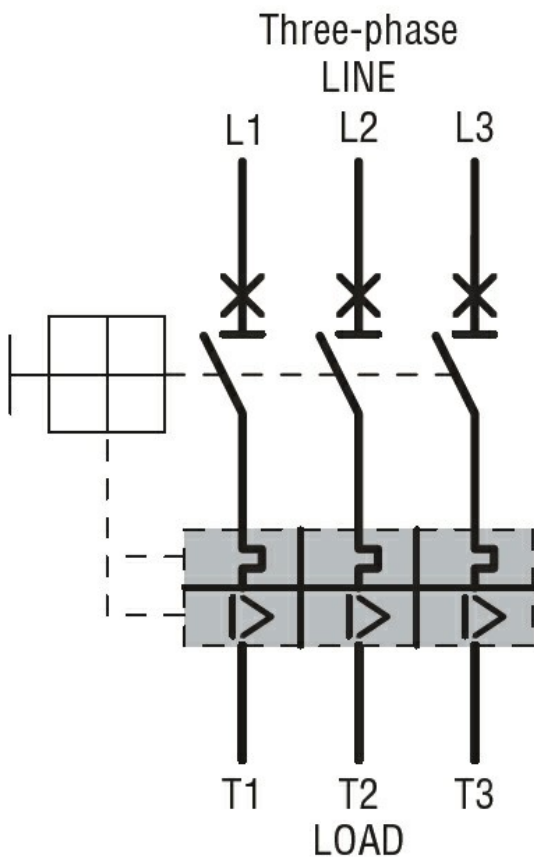
Electrical features			
Number of poles	Nr.		3
Magnetic protection			yes
Thermal protection			yes
Phase failure detection			yes
Rated insulation voltage U_i IEC/EN	V		690
Rated impulse withstand voltage U_{imp}	kV		6
Rated frequency	Hz		50/60
Thermal trip adjustment range			6.3...10
Rated current (I_n)	A		10
Magnetic tripping			20 x I_n
Power dissipation per pole	min	W	1.03
	max	W	2.61
Operational short-circuit current breaking capacity (I_{cs}) at AC	230V	kA	100
	400V	kA	100
	440V	kA	42
	500V	kA	42
	690V	kA	2
	Maximum short-circuit current breaking capacity (I_{cu}) at AC	230V	kA
400V		kA	100
440V		kA	42
500V		kA	42
690V		kA	4
Tripping class			
IEC Utilization category			A
Operations			
Mechanical life		cycles	100000
Electrical life		cycles	100000
Mechanical features			
Tightening torque for terminals	min	Nm	2.5
	max	Nm	3
	min	lbin	22
	max	lbin	26.5
Max number of wires simultaneously connectable	Nr.		2
Conductor section	AWG/Kcmil	min	16
		max	8
Flexible w/o lug conductor section	min	mm ²	1
	max	mm ²	10

Flexible c/w lug conductor section	min	mm ²	1
	max	mm ²	10
Flexible with insulated spade lug conductor section	min	mm ²	1
	max	mm ²	10
Screwdriver			PH2
Power terminal protection according to IEC/EN 60529			IP20 on front
Cable stripping length	main circuit	mm	10
Ambient conditions			
Temperature			
Operating temperature	min	°C	-20
	max	°C	+60
Storage temperature	min	°C	-50
	max	°C	+80
Compensation temperature	min	°C	-20
	max	°C	+50
Max altitude		m	3000
Operating position	normal allowable		Vertical plan Any
Fixing			Screw / DIN rail 35mm
Weight		g	340
UL technical data			
Motor Disconnect			
	at 240V	kA	30
	at 480V	kA	30
	protection		Fuse or CB
Group Motor Installation			
	at 480V	kA	30
	protection		Fuse or CB
Tap Conductor Protection			
	at 480Y/277V	kA	30
Maximum UL/CSA horsepower ratings single-phase			
	110V-120V	HP	1/2
	220V-240V	HP	1.5
Maximum UL/CSA horsepower ratings three-phase, 3-pole			
	200V-208V	HP	2
	220V-240V	HP	3
	440V-480V	HP	5

Dimensions



Wiring diagrams



Certifications and compliance

Certifications

CSA C22.2 n° 60947-1

CSA C22.2 n° 60947-4-1

IEC/EN/BS 60947-1

IEC/EN/BS 60947-2

IEC/EN/BS 60947-4-1

UL 60947-4-1

Compliance

cULus

EAC

ETIM classification

ETIM 8.0

EC000074 -
Motor protection
circuit-breaker