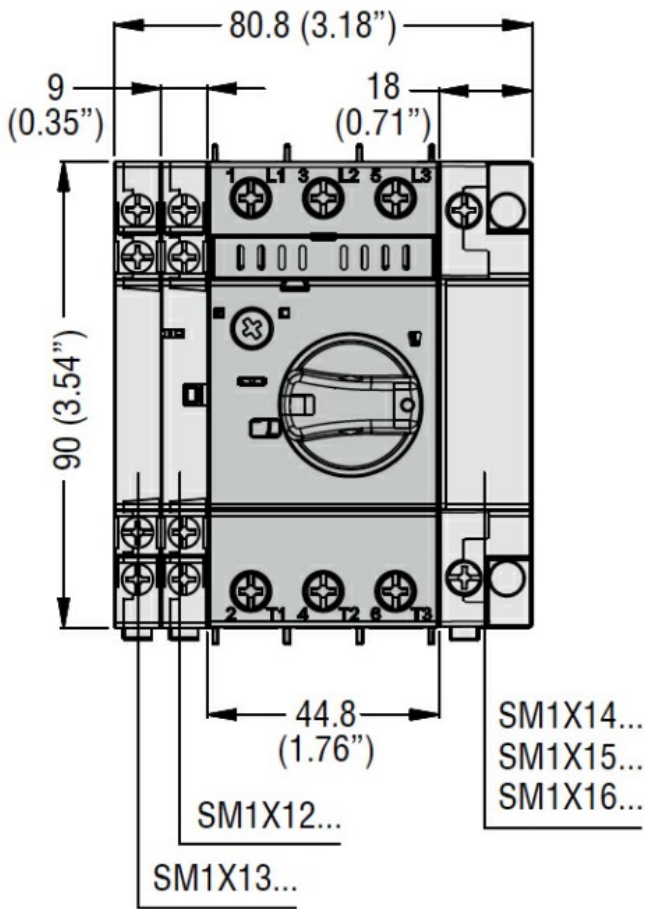


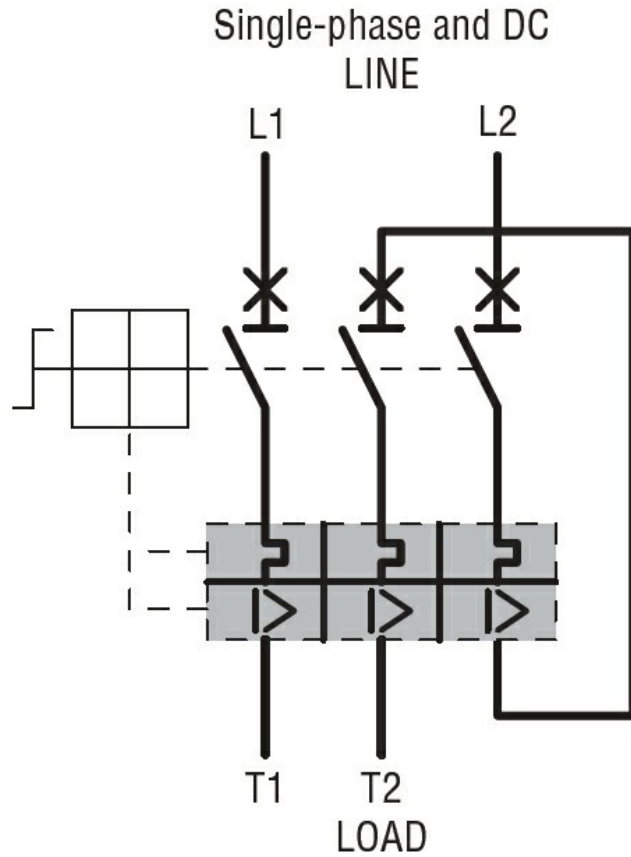
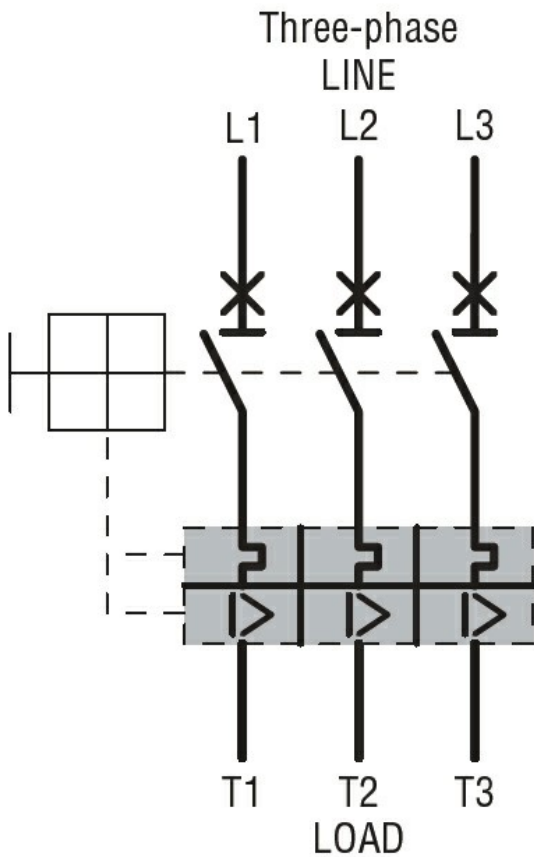


Electrical features			
Number of poles	Nr.		3
Magnetic protection			yes
Thermal protection			yes
Phase failure detection			yes
Rated insulation voltage $U_i$ IEC/EN	V		690
Rated impulse withstand voltage $U_{imp}$	kV		6
Rated frequency	Hz		50/60
Thermal trip adjustment range			9...14
Rated current ( $I_n$ )	A		14
Magnetic tripping			20 x $I_n$
Power dissipation per pole	min	W	1.13
	max	W	2.73
Operational short-circuit current breaking capacity ( $I_{cs}$ ) at AC			
	230V	kA	100
	400V	kA	100
	440V	kA	42
	500V	kA	42
	690V	kA	2
Maximum short-circuit current breaking capacity ( $I_{cu}$ ) at AC			
	230V	kA	100
	400V	kA	100
	440V	kA	42
	500V	kA	42
	690V	kA	4
Tripping class			10A
IEC Utilization category			A
Operations			
Mechanical life		cycles	100000
Electrical life		cycles	100000
Mechanical features			
Tightening torque for terminals			
	min	Nm	2.5
	max	Nm	3
	min	lbin	22
	max	lbin	26.5
Max number of wires simultaneously connectable		Nr.	2
Conductor section			
AWG/Kcmil			
	min		16
	max		8
Flexible w/o lug conductor section			
	min	mm <sup>2</sup>	1
	max	mm <sup>2</sup>	10

Flexible c/w lug conductor section	min	mm <sup>2</sup>	1
	max	mm <sup>2</sup>	10
Flexible with insulated spade lug conductor section	min	mm <sup>2</sup>	1
	max	mm <sup>2</sup>	10
Screwdriver			PH2
Power terminal protection according to IEC/EN 60529			IP20 on front
Cable stripping length	main circuit	mm	10
<b>Ambient conditions</b>			
Temperature			
Operating temperature	min	°C	-20
	max	°C	+60
Storage temperature	min	°C	-50
	max	°C	+80
Compensation temperature	min	°C	-20
	max	°C	+50
Max altitude		m	3000
Operating position	normal allowable		Vertical plan Any
Fixing			Screw / DIN rail 35mm
Weight		g	340
<b>UL technical data</b>			
Motor Disconnect	at 240V	kA	30
	at 480V	kA	30
	protection		200A class J
Group Motor Installation	at 480V	kA	30
	protection		200A class J
Tap Conductor Protection	at 480Y/277V	kA	30
Maximum UL/CSA horsepower ratings single-phase	110V-120V	HP	3/4
	220V-240V	HP	2
Maximum UL/CSA horsepower ratings three-phase, 3-pole	200V-208V	HP	3
	220V-240V	HP	3
	440V-480V	HP	10
<b>Dimensions</b>			



**Wiring diagrams**



**Certifications and compliance**

Certifications

CSA C22.2 n° 60947-1

CSA C22.2 n° 60947-4-1

IEC/EN/BS 60947-1

IEC/EN/BS 60947-2

IEC/EN/BS 60947-4-1

UL 60947-4-1

Compliance

cULus

EAC

ETIM classification

ETIM 8.0

EC000074 -  
Motor protection  
circuit-breaker