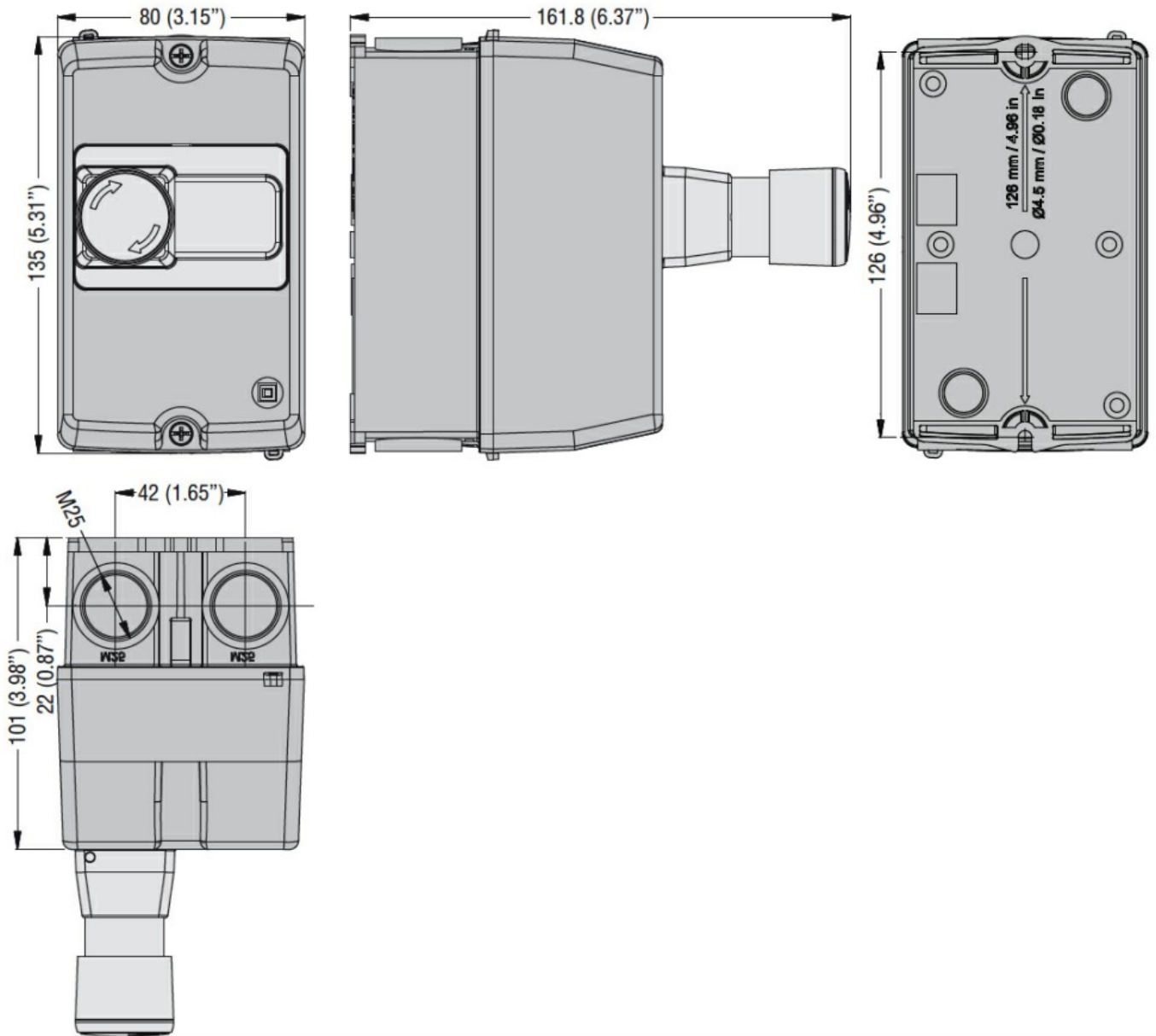




<b>Mechanical features</b>			
Weight		g	275
<b>Operations</b>			
Mechanical life		cycles	100000
<b>Ambient conditions</b>			
Temperature			
	Operating temperature		
	min	°C	-25
	max	°C	+60
	Storage temperature		
	min	°C	-50
	max	°C	+80
IEC degree of protection			IP65
UL degree of protection			4X
<b>Dimensions</b>			



**Certifications and compliance**

Compliance

CSA C22.2 n° 14

IEC/EN 60947-1

IEC/EN 60947-5-1

UL508

Certificates

cULus

EAC

**ETIM classification**