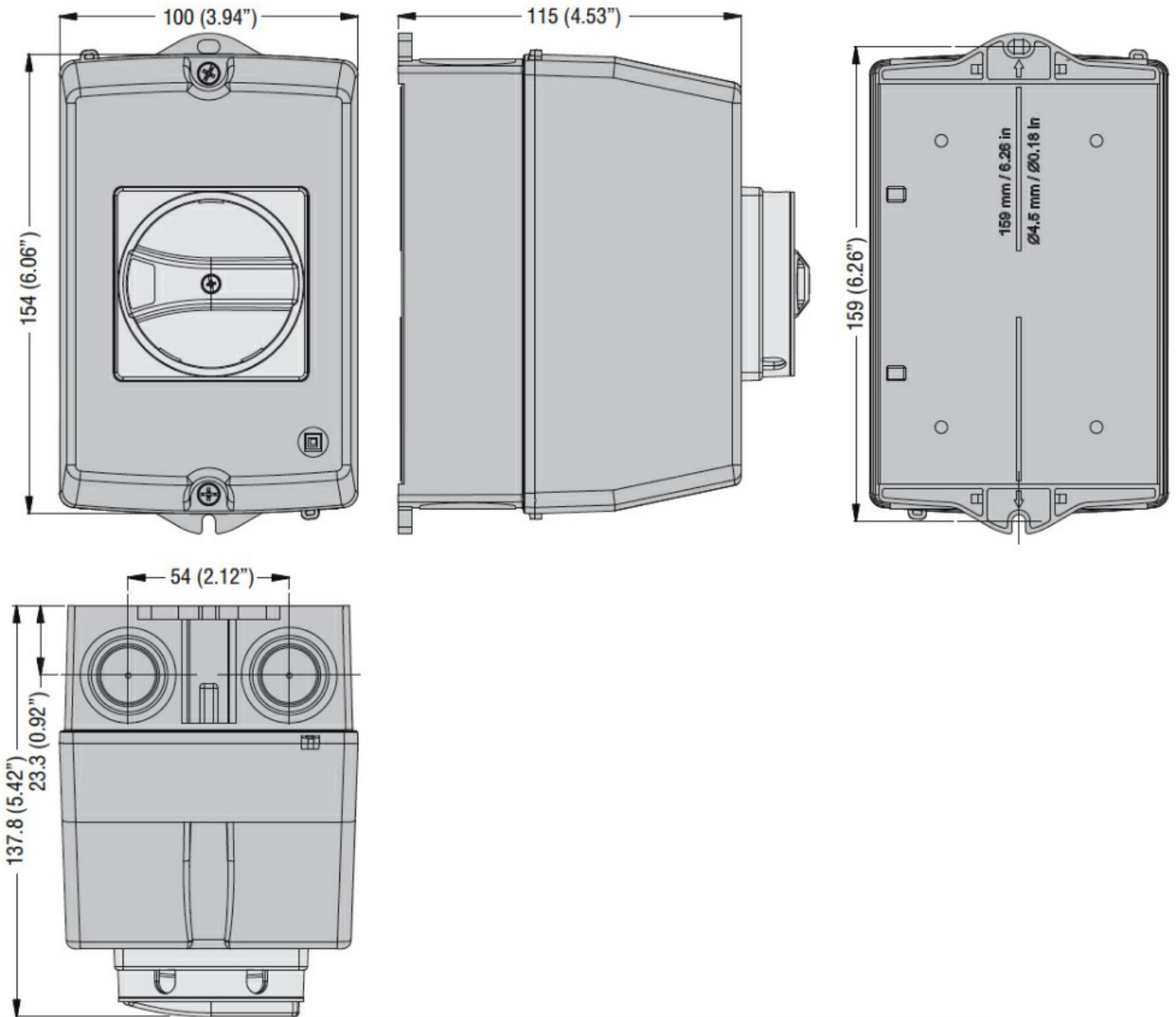




<b>Mechanical features</b>			
Weight		g	350
<b>Operations</b>			
Mechanical life		cycles	100000
<b>Ambient conditions</b>			
Temperature			
	Operating temperature		
		min	°C -25
		max	°C +60
	Storage temperature		
		min	°C -50
		max	°C +80
IEC degree of protection			IP65
UL degree of protection			4X
<b>Dimensions</b>			



**Certifications and compliance**

**Compliance**

CSA C22.2 n° 14  
 IEC/EN 60947-1  
 IEC/EN 60947-5-1  
 UL508

**Certificates**

cULus  
 EAC

**ETIM classification**