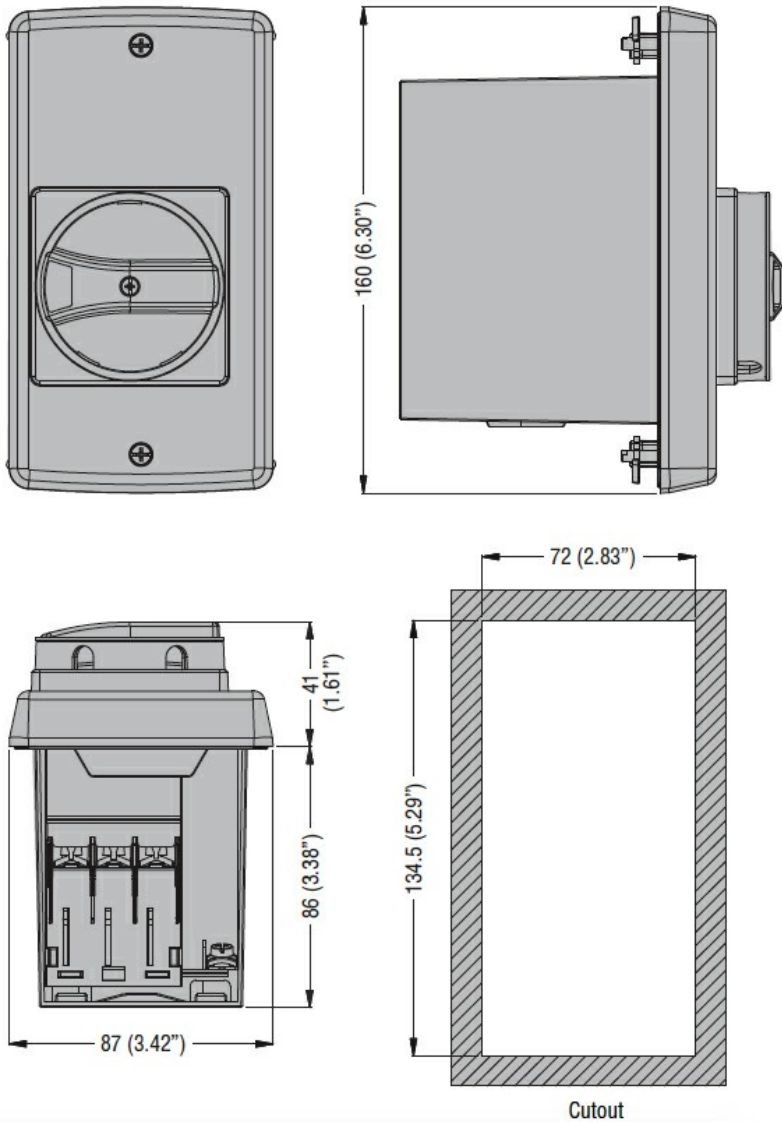




Mechanical features			
Weight		g	245
Operations			
Mechanical life		cycles	100000
Ambient conditions			
Temperature			
	Operating temperature		
		min °C	-25
		max °C	+60
	Storage temperature		
		min °C	-50
		max °C	+80
IEC degree of protection			IP65
UL degree of protection			4X
Dimensions			



Certifications and compliance

Compliance

CSA C22.2 n° 14

IEC/EN 60947-1

IEC/EN 60947-5-1

UL508

Certificates

cULus

EAC

ETIM classification