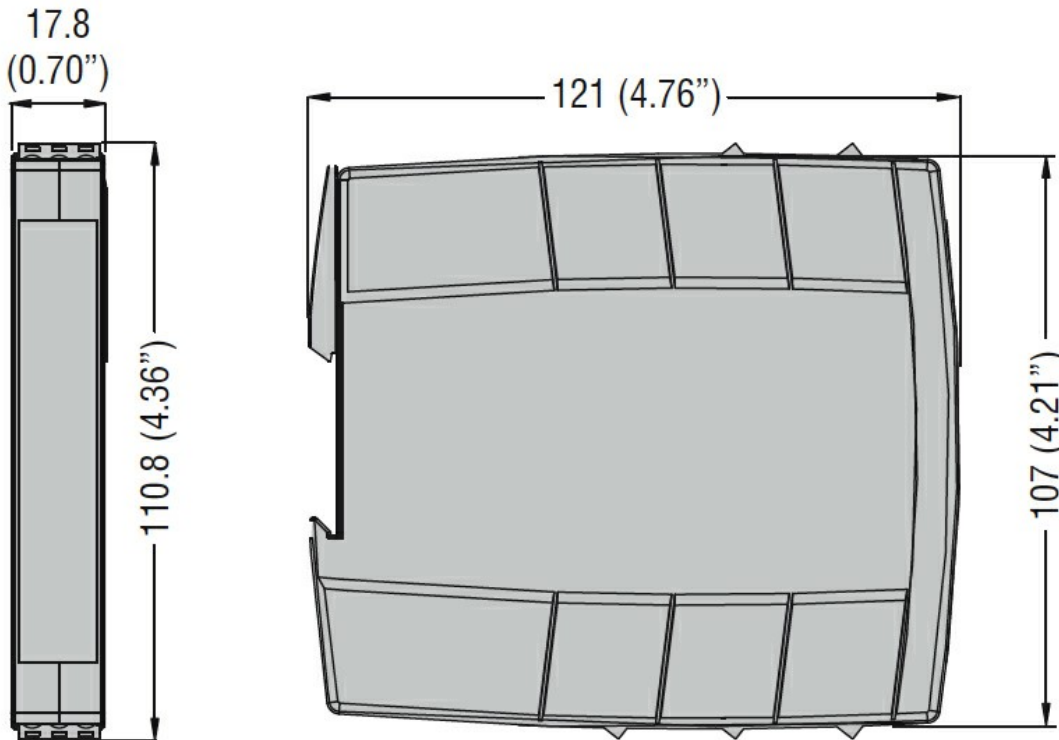




General characteristics		
General characteristics		
Functions		Emergency stop
Contact characteristics		
Type of contact		2NO
Operations		
Mechanical life	cycles	>10 ⁷
Auxiliary supply		
Nominal auxiliary voltage supply		24VAC/DC
Operating range	V	22...26VDC / 20.4...27.6VAC
Frequency range	Hz	50/60
Overvoltage category		III
Insulation voltage	kV	4
Protections		Short circuit with PTC
Input characteristics		
Number of inputs	Nr.	2
Resistance input circuit	kΩ	Max 1
Input current	mA	Typical 5
Output characteristics		
Number of safe outputs NO	Nr.	2
Number of safe outputs NC	Nr.	0
Number of feedback outputs	Nr.	0
Output type		Voltage free contacts, relays with forcibly guided contacts
Output contacts ratings		AC1 250V: 6A- 2000VA AC15 230V: 3A DC1 24V: 6A DC13 24V: 2.5A
UL 508 ratings		Pilot duty: B300- R300
Mechanical life	cycles	>10 ⁷
Electrical life AC1 at 360 commutations/h	cycles	10 ⁵
Safety parameters		
ISO 13849-1 security category		Cat. 4
ISO 13849-1 performance level		PLe
Mechanical features		
Cable connection		Removable screw terminal
Fixing		35mm DIN rail
Weight	g	209
Ambient conditions		

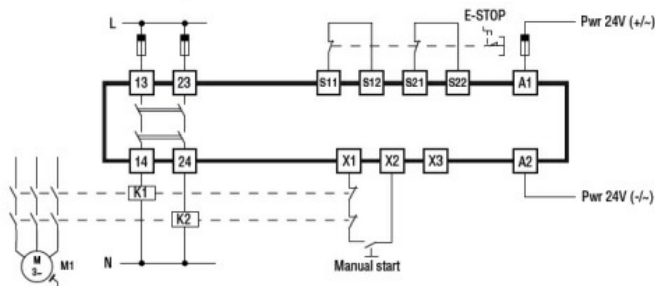
Protection degree	IP40 on front IP20 on terminals
Pollution degree	2
Temperature	
Operating temperature	min °C -25 max °C +60
Storage temperature	min °C -30 max °C +70
Relative humidity	% ≤95

Dimensions

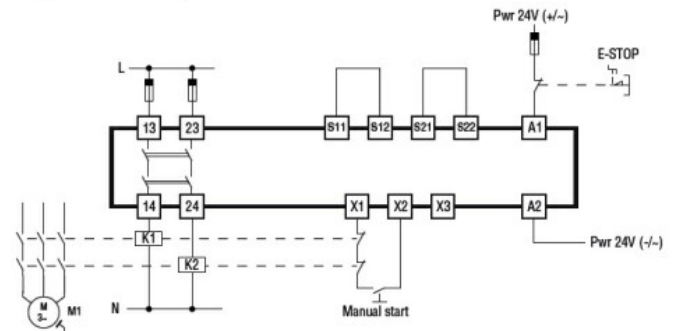


Wiring diagrams

Double channel mode, manual start



Single channel mode, manual start



Certifications and compliance

Compliance

EN/BS 13849-1

Certificates

cULus
TÜV

ETIM classification

ETIM 8.0

EC001449 -
Device for
monitoring of
safety-related
circuits