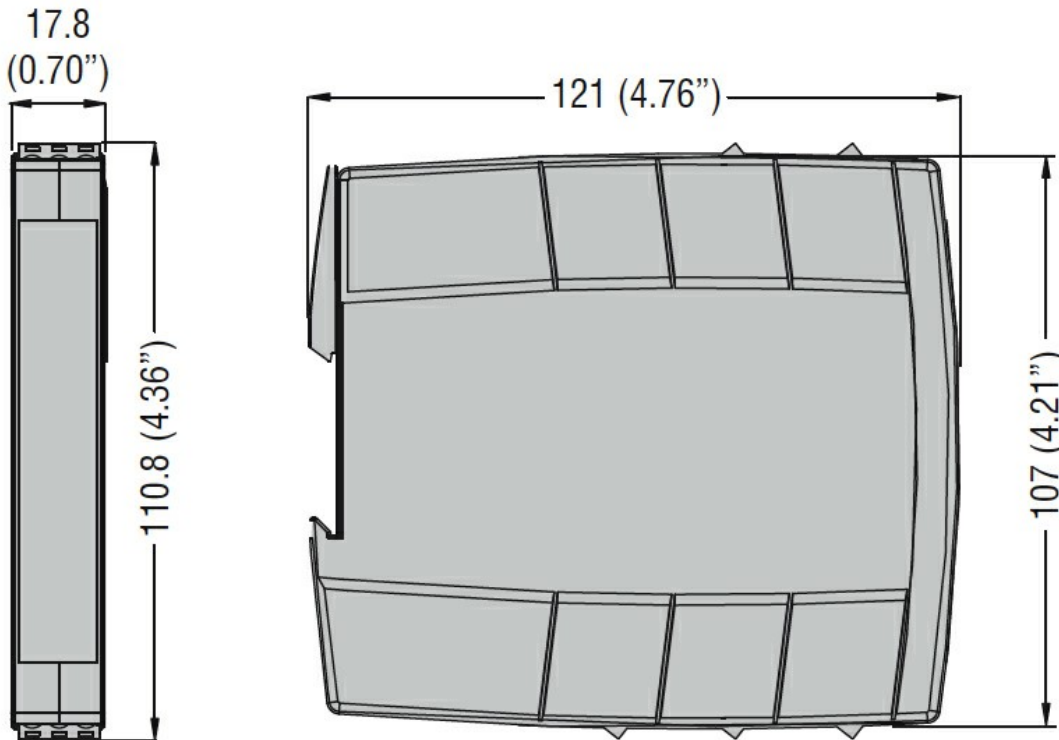




<b>General characteristics</b>		
<b>General characteristics</b>		
Functions		Emergency stop
<b>Contact characteristics</b>		
Type of contact		3NO+1NC
<b>Operations</b>		
Mechanical life	cycles	>10 <sup>7</sup>
<b>Auxiliary supply</b>		
Nominal auxiliary voltage supply		24VAC/DC
Operating range	V	22...26VDC / 20.4...27.6VAC
Frequency range	Hz	50/60
Overvoltage category		III
Insulation voltage	kV	4
Protections		Short circuit with PTC
<b>Input characteristics</b>		
Number of inputs	Nr.	2
Resistance input circuit	kΩ	Max 1
Input current	mA	Typical 5
<b>Output characteristics</b>		
Number of safe outputs NO	Nr.	3
Number of safe outputs NC	Nr.	1
Number of feedback outputs	Nr.	0
Output type		Voltage free contacts, relays with forcibly guided contacts
Output contacts ratings		AC1 250V: 6A- 2000VA AC15 230V: 3A DC1 24V: 6A DC13 24V: 2.5A
UL 508 ratings		Pilot duty: B300- R300
Mechanical life	cycles	>10 <sup>7</sup>
Electrical life AC1 at 360 commutations/h	cycles	10 <sup>5</sup>
<b>Safety parameters</b>		
ISO 13849-1 security category		Cat. 4
ISO 13849-1 performance level		PLe
<b>Mechanical features</b>		
Cable connection		Removable screw terminal
Fixing		35mm DIN rail
Weight	g	230
<b>Ambient conditions</b>		

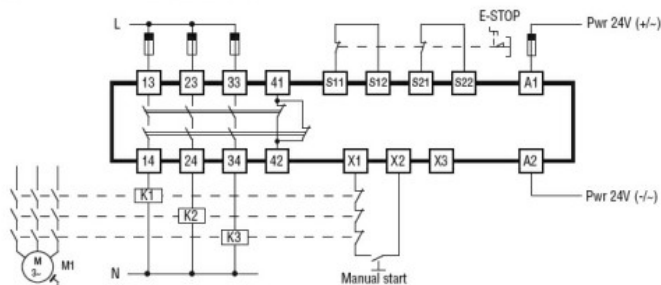
Protection degree	IP40 on front IP20 on terminals		
Pollution degree	2		
Temperature	Operating temperature		
	min	°C	-25
	max	°C	+60
	Storage temperature		
	min	°C	-30
	max	°C	+70
Relative humidity		%	≤95

**Dimensions**

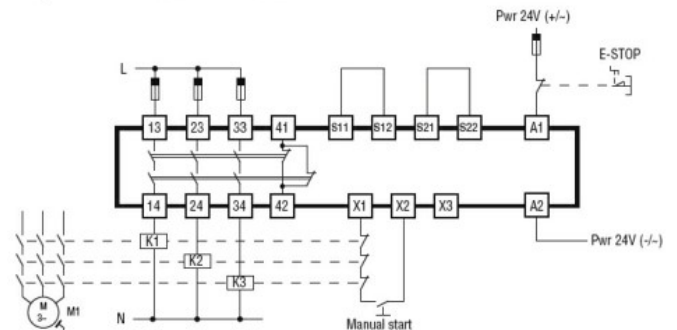


**Wiring diagrams**

Double channel mode, manual start



Single channel mode, manual start



**Certifications and compliance**

Compliance

EN/BS 13849-1

Certificates

cULus

TÜV

**ETIM classification**

ETIM 8.0

EC001449 -  
Device for  
monitoring of  
safety-related  
circuits