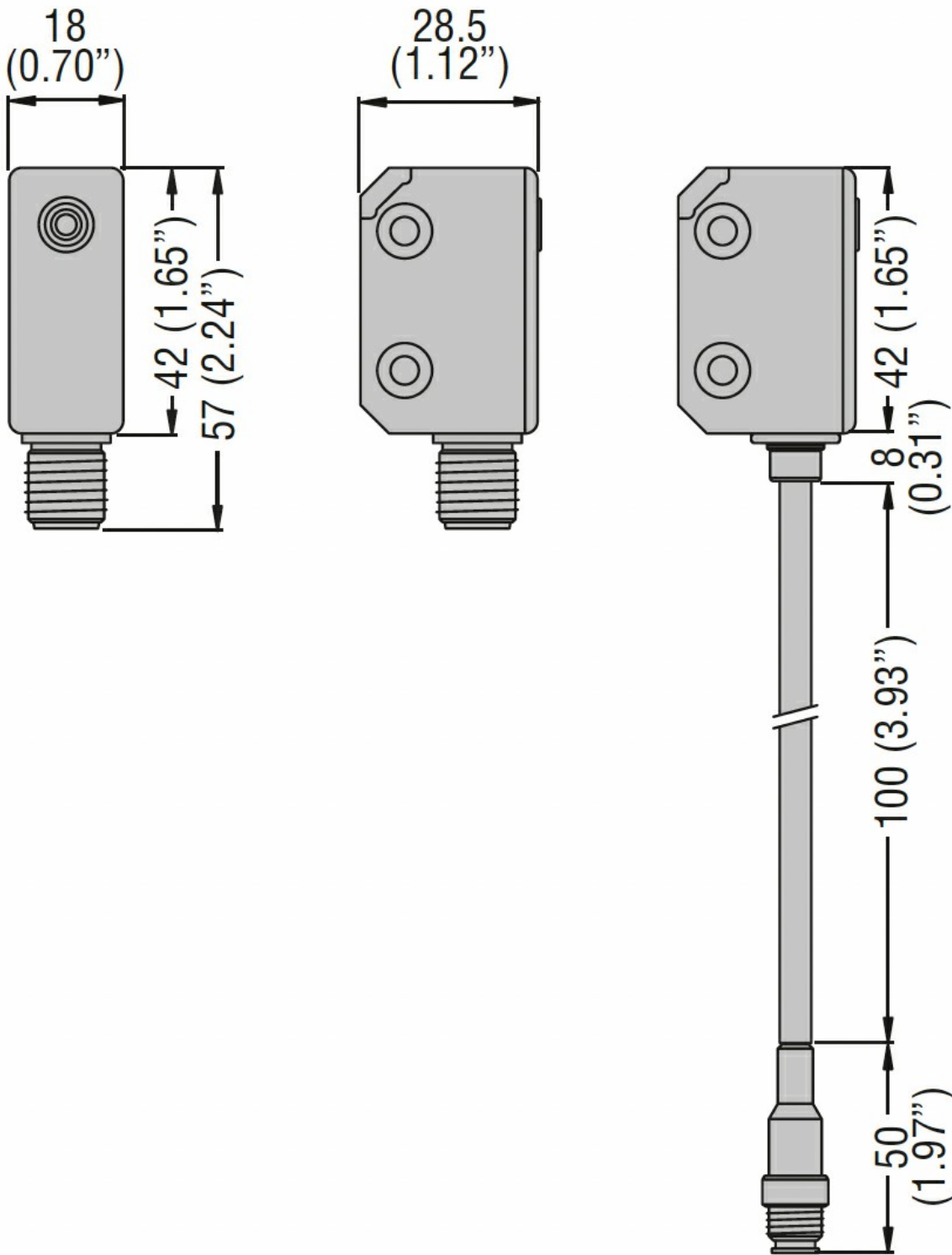


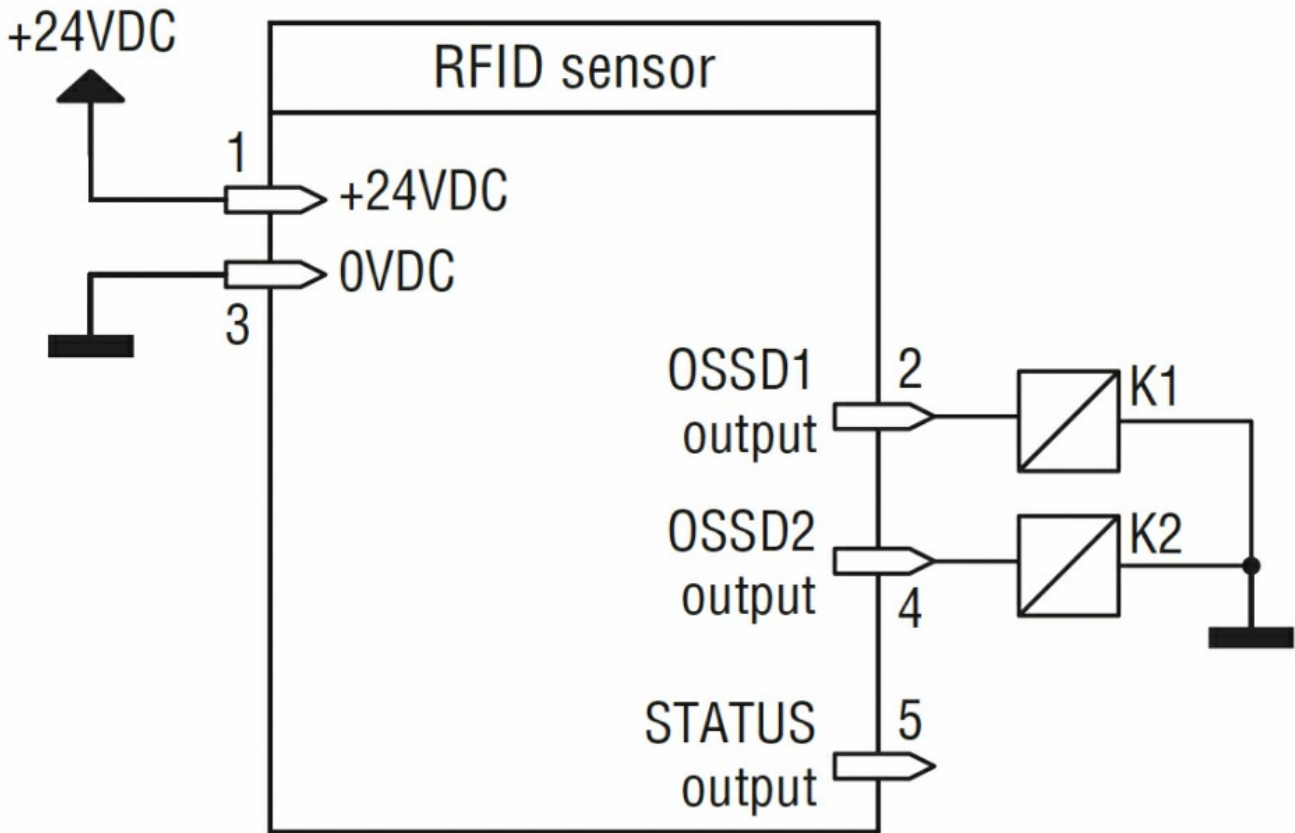


General characteristics			
General characteristics			
Coding type			Generic
Switching distance	mm		10mm (X axis); 5mm (Y axis); 5mm (Z axis)
Contact characteristics			
Type of contact			OSSD
Auxiliary supply			
Nominal auxiliary voltage supply			24VDC
Operating range	V		19...28
Insulation voltage	kV		0.3
Input characteristics			
Number of inputs	Nr.		2
Output characteristics			
Number of safe OSSD outputs	nr.		2
Number of feedback outputs	Nr.		1
Output contacts ratings			300mA
Safety parameters			
ISO 13849-1 security category			Cat. 4
ISO 13849-1 performance level			PLe
Mechanical features			
Cable connection			M12 connector
Fixing			Both directions
Weight	g		44
Ambient conditions			
Protection degree			IP67 and IP69K
Pollution degree			2
Temperature			
Operating temperature		min	°C -25
		max	°C +70
Storage temperature		min	°C -25
		max	°C +70
Relative humidity		%	<90%
Dimensions			



Wiring diagrams

AUTOMATIC START



Certifications and compliance

Compliance

Cat. 4

EN/BS 61508-1(SIL 3)

EN/BS 61508-2 (SIL 3)

EN/BS 61508-3 (SIL3)

IEC/BS 62061 (max. SIL 3).

PLe according to EN/BS 13849-1

Certificates

cULus

TÜV

ETIM classification

ETIM 8.0

EC001449 -
Device for
monitoring of
safety-related
circuits