



**General characteristics**

**General characteristics**

Coding type		Generic
Switching distance	mm	10mm (X axis); 5mm (Y axis); 5mm (Z axis)

**Contact characteristics**

Type of contact		OSSD
-----------------	--	------

**Auxiliary supply**

Nominal auxiliary voltage supply		24VDC
Operating range	V	19...28
Insulation voltage	kV	0.3

**Input characteristics**

Number of inputs	Nr.	2
Start/Restart inputs and EDM	nr.	1

**Output characteristics**

Number of safe OSSD outputs	nr.	2
Number of feedback outputs	Nr.	1
Output contacts ratings		300mA

**Safety parameters**

ISO 13849-1 security category		Cat. 4
ISO 13849-1 performance level		PLe

**Mechanical features**

Cable connection		M12 Pigtail connector 15cm
Fixing		Both directions
Weight	g	56

**Ambient conditions**

Protection degree		IP67 and IP69K
Pollution degree		2

**Temperature**

Operating temperature

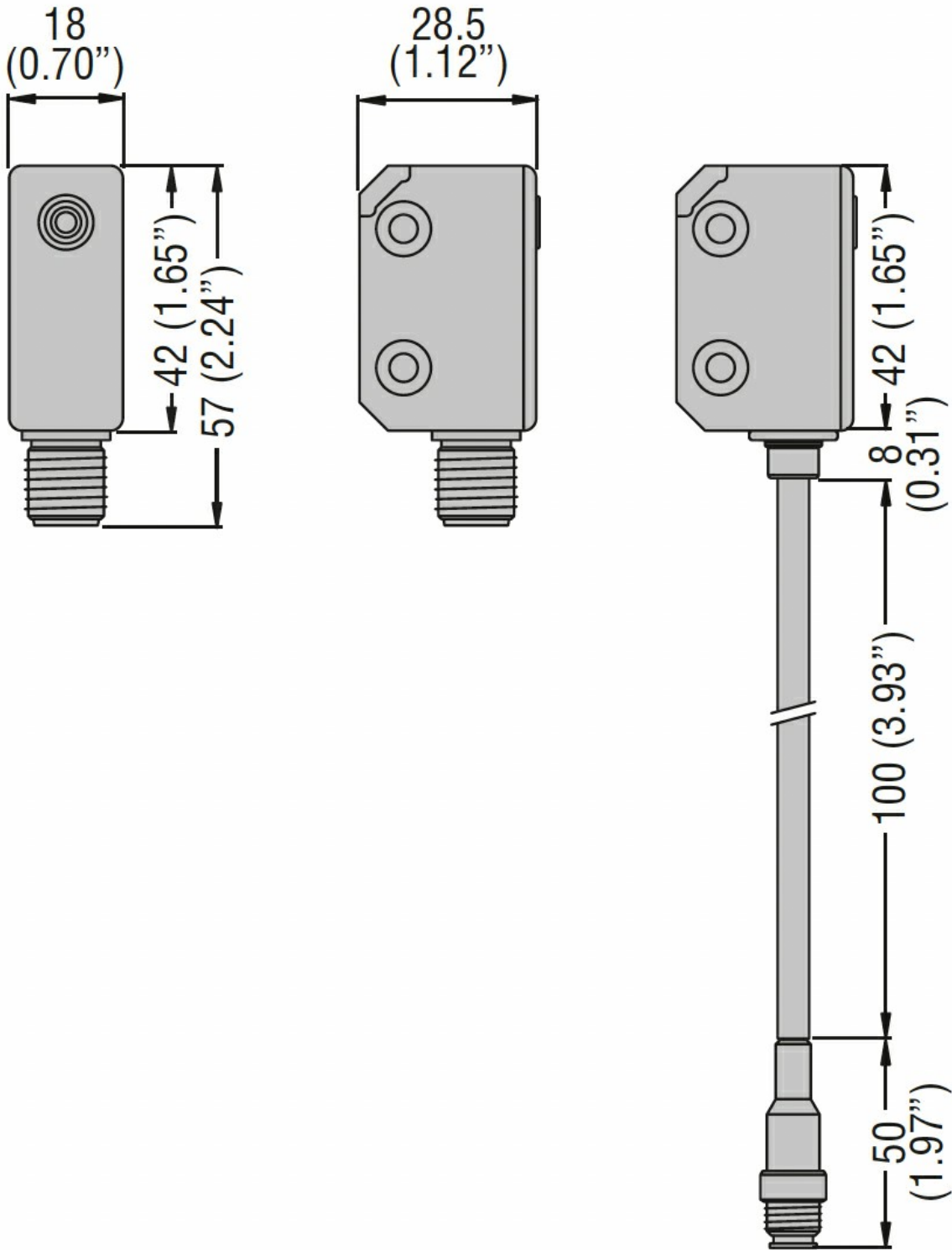
min	°C	-25
max	°C	+70

Storage temperature

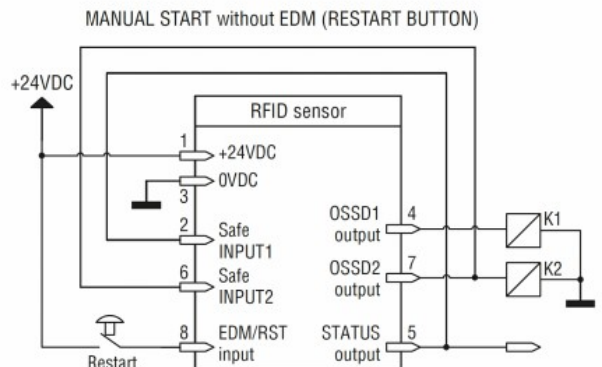
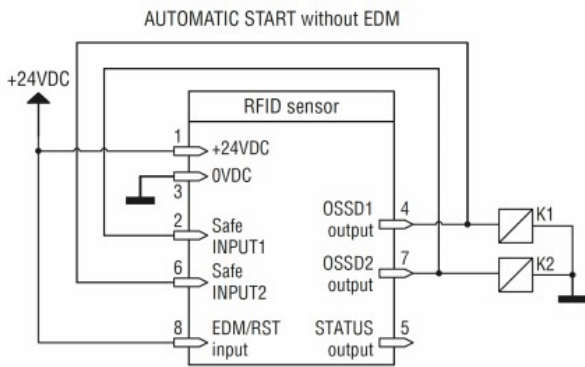
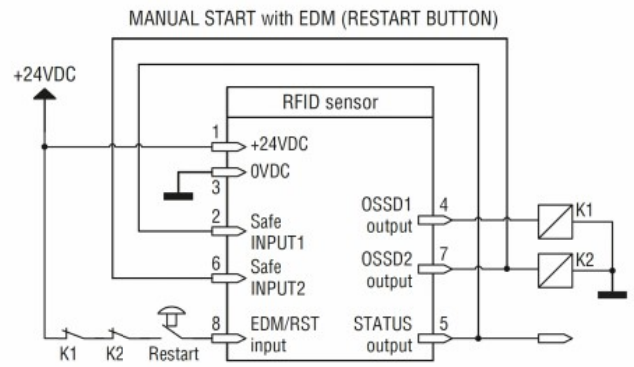
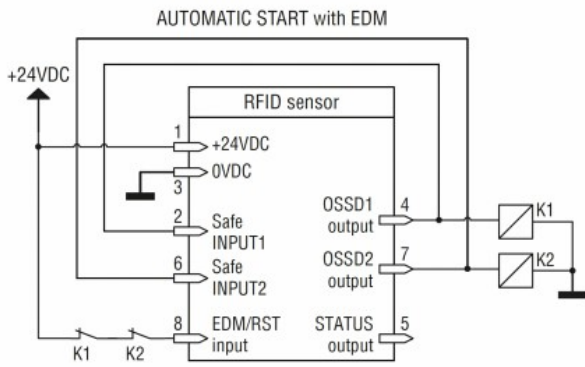
min	°C	-25
max	°C	+70

Relative humidity	%	<90%
-------------------	---	------

**Dimensions**



Wiring diagrams



**Certifications and compliance**

**Compliance**

- Cat. 4
- EN/BS 61508-1(SIL 3)
- EN/BS 61508-2 (SIL 3)
- EN/BS 61508-3 (SIL3)
- IEC/BS 62061 (max. SIL 3).
- PLe according to EN/BS 13849-1

**Certificates**

- cULus
- TÜV

**ETIM classification**

ETIM 8.0

EC001449 -  
Device for  
monitoring of  
safety-related  
circuits