



General characteristics

General characteristics

Coding type		Teach-in
Switching distance	mm	10mm (X axis); 5mm (Y axis); 5mm (Z axis)

Contact characteristics

Type of contact		OSSD
-----------------	--	------

Auxiliary supply

Nominal auxiliary voltage supply		24VDC
Operating range	V	19...28
Insulation voltage	kV	0.3

Input characteristics

Number of inputs	Nr.	2
Start/Restart inputs and EDM	nr.	1

Output characteristics

Number of safe OSSD outputs	nr.	2
Number of feedback outputs	Nr.	1
Output contacts ratings		300mA

Safety parameters

ISO 13849-1 security category		Cat. 4
ISO 13849-1 performance level		PLe

Mechanical features

Cable connection		M12 connector
Fixing		Both directions
Weight	g	44

Ambient conditions

Protection degree		IP67 and IP69K
Pollution degree		2

Temperature

Operating temperature

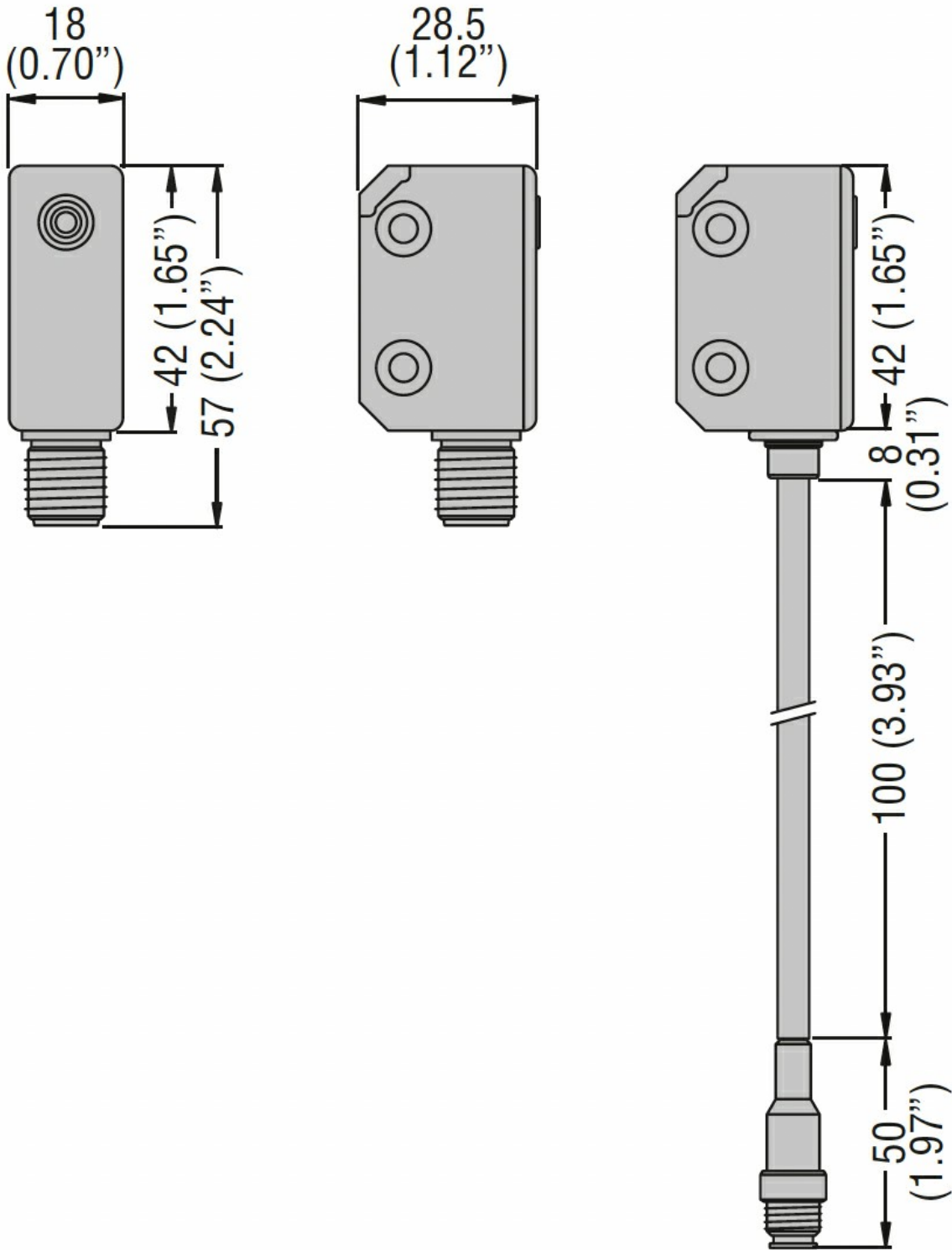
min	°C	-25
max	°C	+70

Storage temperature

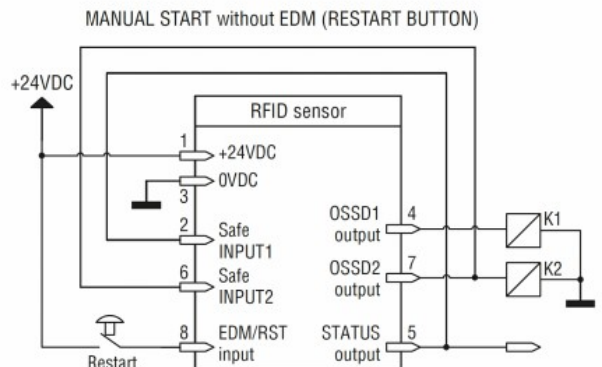
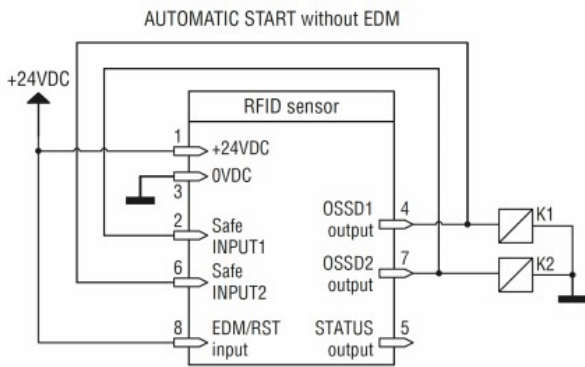
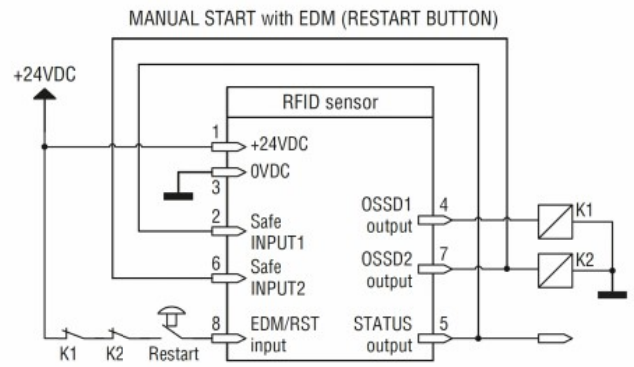
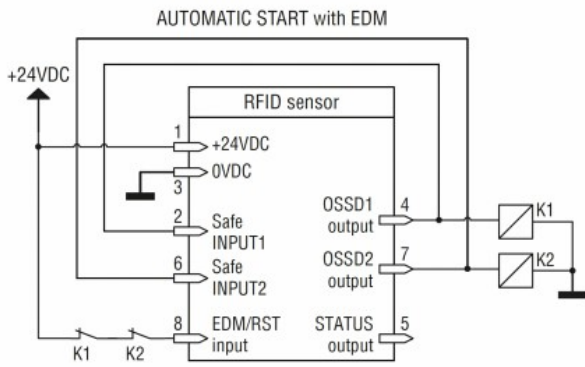
min	°C	-25
max	°C	+70

Relative humidity	%	<90%
-------------------	---	------

Dimensions



Wiring diagrams



Certifications and compliance

Compliance

- Cat. 4
- EN/BS 61508-1(SIL 3)
- EN/BS 61508-2 (SIL 3)
- EN/BS 61508-3 (SIL3)
- IEC/BS 62061 (max. SIL 3).
- PLe according to EN/BS 13849-1

Certificates

- cULus
- TÜV

ETIM classification

ETIM 8.0

EC001449 -
Device for
monitoring of
safety-related
circuits