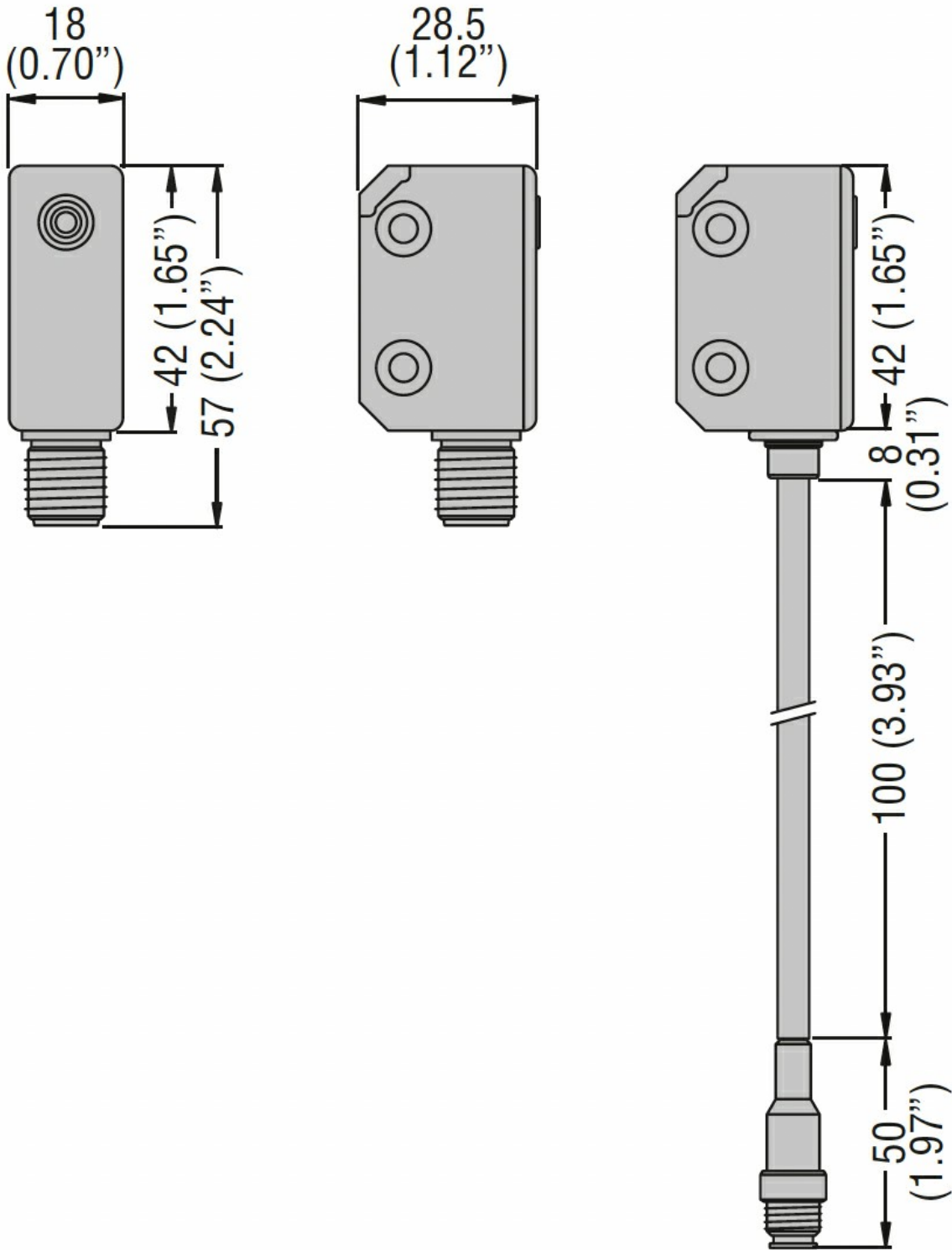
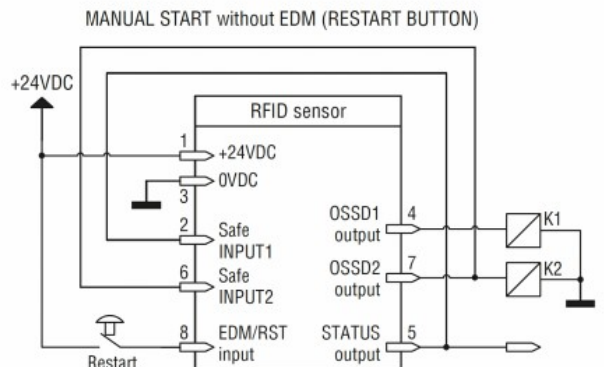
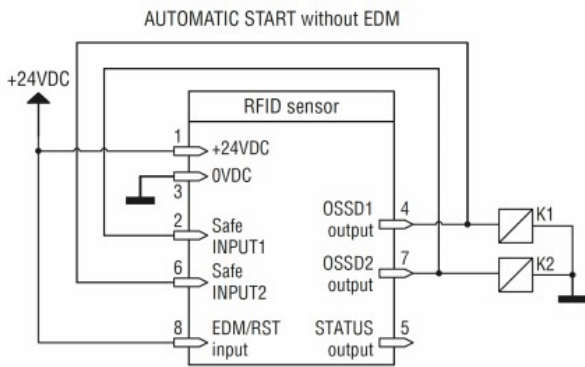
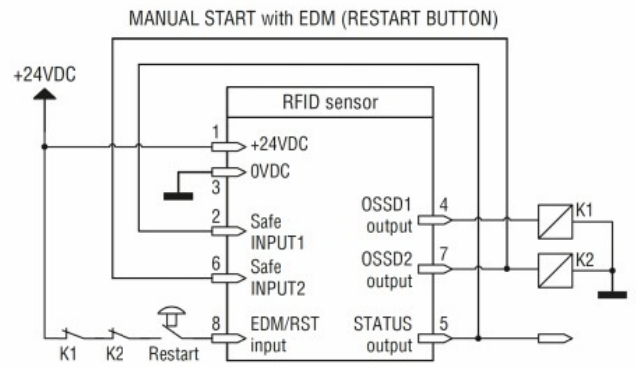
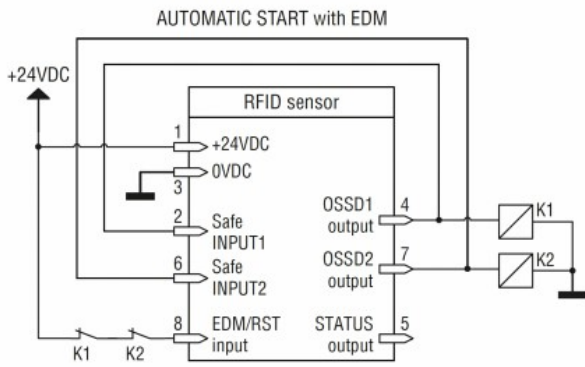




General characteristics			
General characteristics			
Coding type			Teach-in
Switching distance	mm		10mm (X axis); 5mm (Y axis); 5mm (Z axis)
Contact characteristics			
Type of contact			OSSD
Auxiliary supply			
Nominal auxiliary voltage supply			24VDC
Operating range	V		19...28
Insulation voltage	kV		0.3
Input characteristics			
Number of inputs	Nr.		2
Start/Restart inputs and EDM	nr.		1
Output characteristics			
Number of safe OSSD outputs	nr.		2
Number of feedback outputs	Nr.		1
Output contacts ratings			300mA
Safety parameters			
ISO 13849-1 security category			Cat. 4
ISO 13849-1 performance level			PLe
Mechanical features			
Cable connection			M12 Pigtail connector 15cm
Fixing			Both directions
Weight	g		56
Ambient conditions			
Protection degree			IP67 and IP69K
Pollution degree			2
Temperature			
Operating temperature		min	°C -25
		max	°C +70
Storage temperature			
		min	°C -25
		max	°C +70
Relative humidity		%	<90%
Dimensions			



Wiring diagrams



**Certifications and compliance**

**Compliance**

- Cat. 4
- EN/BS 61508-1(SIL 3)
- EN/BS 61508-2 (SIL 3)
- EN/BS 61508-3 (SIL3)
- IEC/BS 62061 (max. SIL 3).
- PLe according to EN/BS 13849-1

**Certificates**

- cULus
- TÜV

**ETIM classification**

ETIM 8.0

EC001449 -  
Device for  
monitoring of  
safety-related  
circuits