



### General characteristics

Rated current (Ie)	A	25
Inductance	mH	0.6
Rated power	VA	350
Rated output current	A	25
Rated output power	kW	5,5...11

### Technical features

Rated mains voltage	VAC	400
Operating mains voltage range	VAC	170...530
Rated mains frequency	Hz	50/60
Saturation current		1.5*Ie
Power loss		45W
THD		40%

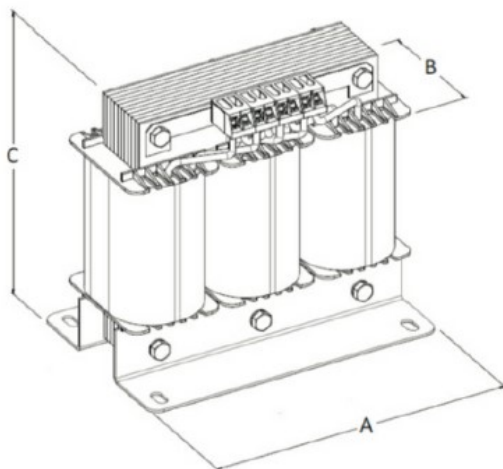
### Ambient conditions

Temperature	Operating temperature		
	max	°C	+40
Max altitude		m	1000
Insulation class			Class F
Working class			Class F

### Housing

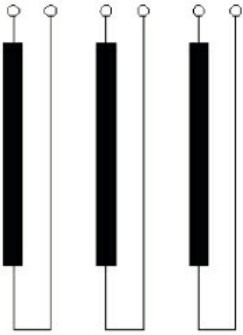
Material		Alluminium
Installation position		Vertical
IP degree of protection		IP00
Dimensions (W x H x D)	mm	180x90x160
Weight	Kg	6

### Dimensions



	VLXM012	VLXM025	VLXM050	VLXM100	VLXM150	VLXM300
A	150	180	180	250	240	300
B	75	90	100	150	160	140
C	150	160	200	205	205	260

### Wiring diagrams



**Certifications and compliance**

Compliance

IEC/EN/BS 61558-1

**ETIM classification**

ETIM 8.0

EC002025