

PROFILED INCASSO H12

105415.01

novalux
ITALIAN LIGHTING DESIGN SINCE 1948



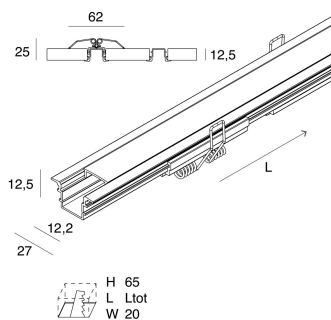
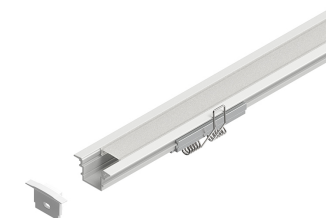
Features

Use: Indoor
Type of installation: RECESSED INTO PLASTERBOARD
Emission: DIRECT
Optics: OPAL
Colour: WHITE
L: 2000mm
A: 27mm
H: 12.5 / 25mm
Warranty: 5 years
Weight: 0.3kg

Tech data

IP: 40

[PROFILED INCASSO H12: View more product info](#)



Novalux S.r.l. via Marzabotto, 2 40050 Funo di Argelato (BO) Italy
Tel: +39 051 860558 · Fax +39 051 6647859 · Mail: info@novalux.it · VAT number 00536541204 · novalux.com
Company subject to the management and coordination by SLV GmbH

This technical data sheet is owned by Novalux S.r.l., all rights reserved. Novalux S.r.l. reserves the right to make changes without prior notice.
Last update: 6/8/2025, 12:53:39

PROFILED INCASSO H12

105415.01

novalux
ITALIAN LIGHTING DESIGN SINCE 1948

SCREENS



L-16 EVO: DIFF. OPALE L=6000

1018A3.99

COMPLETION ACCESSORIES



PROFILED: PROF. INC COPPIA TESTATE BIA

105417.01

MOUNTING ACCESSORIES



PROFILED: PROF. INC COPPIA MOLLE

105419.99



Novalux S.r.l. via Marzabotto, 2 40050 Funo di Argelato (BO) Italy
Tel: +39 051 860558 · Fax +39 051 6647859 · Mail: info@novalux.it · VAT number 00536541204 · novalux.com
Company subject to the management and coordination by SLV GmbH

This technical data sheet is owned by Novalux S.r.l., all rights reserved. Novalux S.r.l. reserves the right to make changes without prior notice.
Last update: 6/8/2025, 12:53:39