

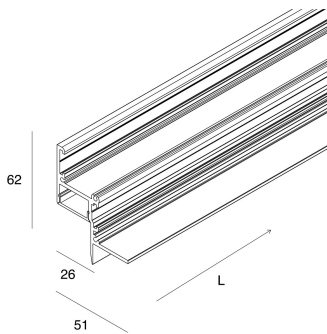
## Features

Use: Indoor  
Type of installation: RECESSED INTO PLASTERBOARD  
Emission: DIRECT  
Optics: OPAL  
L: 50.5mm  
H: 61.5mm  
Made in: ITALY  
Warranty: 5 years  
Weight: 3.75kg

## Tech data

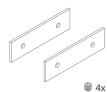
IP: 40

[P-25: View more product info](#)



## COMPLETION ACCESSORIES

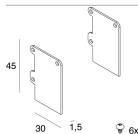
---



P-25/40: KIT GIUNZIONE PROFILI

**103003.99**

---



P-25: COPPIA TESTATE DI CHIUSURA PROFILO

**106802.99**