



Features

Use: Indoor
 Type of installation: WALL
 Emission: DIRECT/INDIRECT
 Optics: OPAL
 Colour: CAPPUCCINO
 Dimming: PUSH, DALI
 Emergency: NO
 L: 625x625mm
 A: 37mm
 H: 106mm
 Made in: ITALY
 Warranty: 5 years

Tech data

Luminaire input power: 50W
 Luminaire luminous flux: 3020lm
 IP: 40
 Insulation class: I
 No. of driver per product: 1
 Supply voltage: 220-240V 50/60Hz
 SELV: Si

Source

Light source: LED
 Source power: 2x23W
 Source luminous flux: 7608lm
 Colour temperature: 4000K
 CRI: >90
 Colour tolerance: 3 Step MacAdam
 LED lifespan: 50000h L90 B10

Compliance

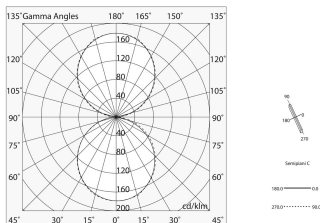
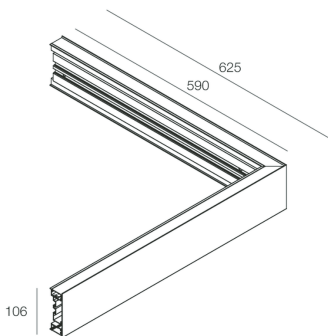
CEI EN 60598-1:2021 + A11:2023, CEI EN 60598-2-1:2022

Standards

Photobiological risk: RISK GROUP 0 Certified fixture in EXEMPT GROUP, in accordance with CEI EN 62471:2010-01, IEC TR 62778:2014.

CAM edilizia: The product complies with the requirements for public buildings, ministerial decree of 23rd June 2022 n.256.

[RECTA: View more product info](#)

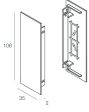


RECTA

111424.21

novalux
ITALIAN LIGHTING DESIGN SINCE 1948

COMPLETION ACCESSORIES



RECTA: COPPIA TESTATE CP

111428.21



Novalux S.r.l. via Marzabotto, 2 40050 Funo di Argelato (BO) Italy
Tel: +39 051 860558 · Fax +39 051 6647859 · Mail: info@novalux.it · VAT number 00536541204 · novalux.com
Company subject to the management and coordination by SLV GmbH

This technical data sheet is owned by Novalux S.r.l., all rights reserved. Novalux S.r.l. reserves the right to make changes without prior notice.
Last update: 6/8/2025, 12:51:00