

# INSTALLATION INSTRUCTIONS FOR CMP ADAPTORS/REDUCERS TYPE 737 AND 797

ADAPTORS AND REDUCERS FOR USE IN HAZARDOUS AREAS TO CHANGE THE SIZE, TYPE OR GENDER OF A THREADED COMPONENT.

INCORPORATING EC DECLARATION OF CONFORMITY TO DIRECTIVE 94/9/EC

## TYPE 737 AND 797 ADAPTORS / REDUCERS

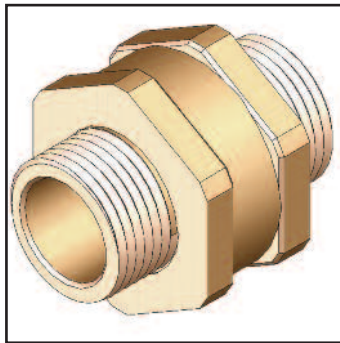
737  
REDUCER



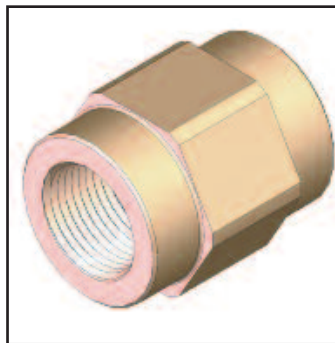
737 ADAPTOR



797  
ADAPTOR  
MALE TO MALE



797  
ADAPTOR  
FEMALE TO FEMALE



### TYPE 737 ADAPTOR

- Female thread size is the same size or larger than the male thread.

### TYPE 737 REDUCER

- Female thread size is smaller than the male thread.

### TYPE 737 R

- 737 Adaptor or Reducer incorporating an O ring thread seal.

### TYPE 797 ADAPTOR

- Adaptor to change a thread gender.





The 737 Adaptors and Reducers, and 797 Adaptors are available in metal for use in Ex d and Ex e environments.

The 737 Adaptors and Reducers are also available in nylon for Ex e environments only.

**TECHNICAL DATA**

CABLE GLAND TYPE : 737 and 797  
 INGRESS PROTECTION : IP66, IP67, IP68, Enclosure Type 4X  
 PROCESS CONTROL SYSTEM : BS EN ISO 9001  
 : ISO / IEC 80079-34:2011

**HAZARDOUS AREA CLASSIFICATION**

ATEX CERTIFICATION No : SIRA 01ATEX1284U & SIRA 02ATEX1003X  
 ATEX CERTIFICATION CODE :  II 2 GD Ex d IIC / Ex e II  
 :  I M2 Ex d I / Ex e I  
 IEC Ex CERTIFICATION No : IEC Ex SIR.07.0052X  
 IEC Ex CERTIFICATION CODE : Ex d IIC / Ex e II / Ex nR II / Ex tD A21 IP66  
 : Ex d I / Ex e I  
 cCSAus CERTIFICATION No. : 1055233 (Metallic only)  
 cCSAus CERTIFICATION CODE : Class I Groups A. B. C and D  
 : Class I Zone 1 AEx de II  
 : Ex de II



**INSTALLATION INSTRUCTIONS**

Installation should only be performed by a competent person using the correct tools. Spanners should be used for tightening. Ensure thread type and size are compatible with the associated enclosure / fitting threads. Fully tighten threads

**SPECIAL CONDITIONS FOR SAFE USE**

1. Only one device shall be used per cable entry
2. The interfaces between the male thread of an adaptor / reducer and the female thread of an enclosure cannot be defined. Therefore it is the installer's responsibility to ensure that the appropriate ingress protection level is maintained at this interface.
3. Type 737 and 797 non-metallic and aluminium adaptors must not be used in Group I applications.
4. Non-metallic adaptors and reducers shall only be used in the temperature range of -20°C to +60°C.
5. Cable glands used with non-metallic adaptors and reducers shall be non-metallic and of the A2 type.

**ACCESSORIES**

The following accessories are available from CMP Products, as optional extras, to assist with fixing, sealing and earthing :-  
 Locknut | Earth Tag | Serrated Washer | Entry Thread (I.P.) Sealing Washer | Shroud \*

Male Thread (mm)	Female Thread (mm)	737	797 (Female to Female)	797 (Male to Male)	Max Installation Torque (Nm)
16	16	737DM1M1	797DM1FM1F	797DM1MM1M	7
20	20	737DM2M2	797DM2FM2F	797DM2MM2M	7
25	25	737DM3M3	797DM3FM3F	797DM3MM3M	10
32	32	737DM4M4	797DM4FM4F	797DM4MM4M	15
40	40	737DM5M5	797DM5FM5F	797DM5MM5M	25
50	50	737DM6M6	797DM6FM6F	797DM6MM6M	30
63	63	737DM7M7	797DM7FM7F	797DM7MM7M	45
75	75	737DM8M8	797DM8FM8F	797DM8MM8M	45
90	90	737DM9M9	797DM9FM9F	797DM9MM9M	45
100	100	737DM10M10	797DM10FM10F	797DM10MM10M	45

**Dimensions are displayed in millimetres unless otherwise stated**

Note:

1. Female thread sizes can be up to two sizes larger than the male threads or any size smaller, e.g. 737DM1M3
2. 737 Adaptors / Reducers are available with an integral entry thread seal. Select this version by adding "R" after 737D, e.g. 737DRM7M7
3. Other materials and thread types are available, consult CMP website (www.cmp-products.com) for details

I, the undersigned, hereby declare that the equipment referred to herein conforms to the requirements of the ATEX Directive 94/9/EC and the following standards:-

EN60079-0:2009, EN60079-1:2007, EN60079-7:2007, EN50281-1-1:1998

Dr Geof Mood - Technical Director - (Authorised Person)

Glasshouse Street • St. Peters • Newcastle upon Tyne • NE6 1BS  
 Tel: +44 191 265 7411 • Fax: +44 1670 715 646  
 E-Mail: [cmp@cmp-products.com](mailto:cmp@cmp-products.com) • Web: [www.cmp-products.com](http://www.cmp-products.com)

**CE 0518**

Notified Body: Sira Certification Service, Rake Lane, Chester CH4 9JN, England.



