

Installation Instructions for Appleton™ Areamaster™ High Lumen LED Luminaire - Yoke Mount - AMHZ Series

FOR PROPER AND SAFE INSTALLATION OF THIS PRODUCT, PLEASE READ THE FOLLOWING INSTRUCTIONS.

Product Safety

Signal Words Defined

DANGER indicates a hazardous situation which, if not avoided, will result in death or serious injury. **WARNING** indicates a hazardous situation which, if not avoided, could result in death or serious injury. **CAUTION** indicates a hazardous situation which, if not avoided, could result in minor or moderate injury. **NOTICE** is used to address practices not related to physical injury.

Safety Instructions

▲ WARNING:

- Do not open or remove luminaire with the circuit energized.
- Do not use this luminaire on ungrounded systems. Failure to ground this luminaire can result in an electric shock, which may be fatal.
- Do not use on ungrounded 480 Volt circuits.

▲ CAUTION:

- Do not look directly at the LEDs when energized.

▲ NOTICE:

- Do not touch the LEDs; touching could leave oily deposits, causing hot spots and potential premature failure.
- This product must be installed in accordance with the applicable installation code by a person familiar with the construction and operation of the product and the hazards involved.
- This luminaire is designed for and should be installed in accordance with all applicable local codes.

Maintenance

There are no maintenance requirements or restrictions on the use of the Areamaster High Lumen family of luminaires. However, if there is a noticeable loss of light from dust or debris it is advisable to wipe the surface of the lens with a damp cloth.

Marine & Hazardous Locations

▲ CAUTION:

- To reduce the risk of ignition of hazardous atmospheres, disconnect the luminaire from the supply circuit before opening. Keep tightly closed when in operation.
- Make sure to tighten unused close-up plug to 400 in.-lb. (46 Nm) after applying lubricating grease. Lubricating grease shall be applied in 3 lines, spaced approximately 120 degrees apart, perpendicular to the threads.
- Where flexible cord is used, it should be approved for extra hard, wet location usage and shall have a separate ground conductor.

Agency Ratings: (NEC/CEC)


- Class I, Division 2, Groups A, B, C, & D
- Class II, Division 1, Groups E, F, & G
- Class II, Division 2, Groups F & G
- Class III
- Simultaneous Exposure
- Class I, Zone 1, AEx eb mb IIC T4/T5/T6 Gb
- Class I, Zone 21, AEx tb IIIC T75°C/T85°C/T100°C Db
- Zone 1, Ex eb mb IIC T4/T5/T6 Db
- Zone 21, Ex tb IIIC T75°C/T85°C/T100°C Db
- Wet Locations
- Marine Outside Type (Salt Water) (For installation in USA only)
- Type 3R, 4, & 4X
- IP66 & IP67



Agency Ratings: (IEC)

For Catalog Numbers Starting With “AMHZ” and Ending With “BU”

INSTALLATION INSTRUCTIONS FOR LED FLOODLIGHT ZONE 1 - Type AMHZ

Equipment	 II 2 GD II 3 GD
Protection Level	Gb - Gc - Db - Dc
Protection Mode	Ex eb mb op is IIC Ex op is tb IIIC
Temperature Class	T# - T# #
Ambient Temperature	-40°C ≤ Ta ≤ +65°C
ATEX Certificate	ITS 18 ATEX 303521
IECEX Certificate	IECEX ITS 18.0031
IP & IK Codes	IP66, IP67, IK08

# GAS			
Ambient	40°C	55°C	65°C
AMHZL1	T5	T4	T4
AMHZL2	T4	T4	T4
AMHZL3	T4	T4	--

## DUST			
Ambient	40°C	55°C	65°C
AMHZL1	85°C	100°C	100°C
AMHZL2	85°C	100°C	100°C
AMHZL3	100°C	100°C	--

ELECTRICAL PARAMETERS								
Line Voltage (V)				AMHZ1	AMHZ2	AMHZ3		
	(AC)	120-277	Line Max. Current (A)	AC	1.4	1.7	2.4	
(DC)	170-300	DC		1.0	1.2	1.7		
AC Line Frequency (Hz)	50/60		Line Max. Watts (W)	AC	165	205	275	
				DC	162	202	270	

Dimensions

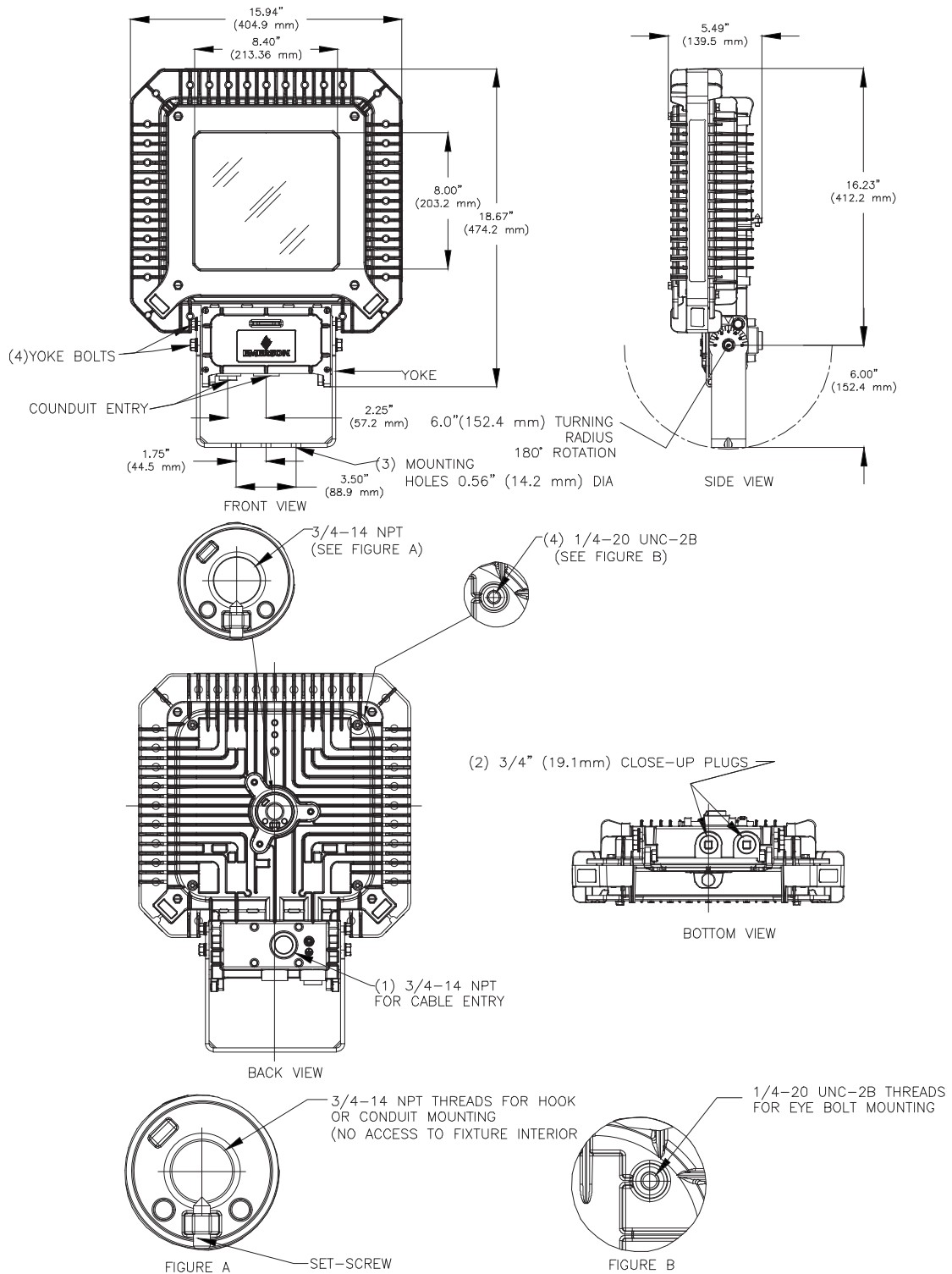


Figure 1: Areamaster High Lumen LED Luminaire

Mounting Options

Yoke Mounting

The Areamaster High Lumen LED luminaire with yoke (supplied) will mount directly onto flat surfaces. The yoke has a center clearance hole for a 1/2 inch (12.7 mm) bolt and two 1/2 inch (12.7 mm) clearance holes spaced 3-1/2 inches (88.9 mm) apart on the yoke center line. See Figure 2.

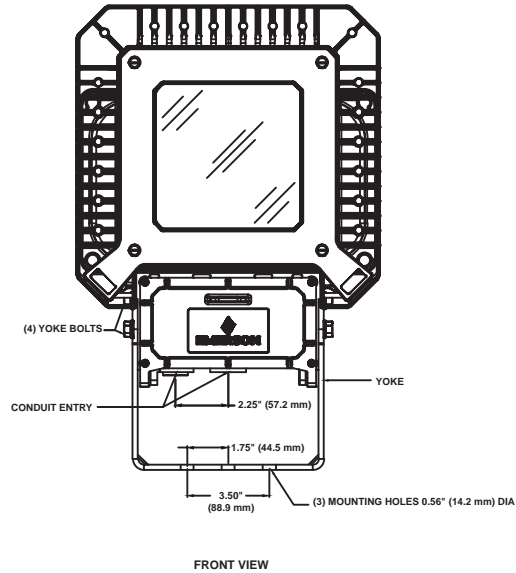


Figure 2: Luminaire with Yoke

Mounting with Yoke

1. Mount the luminaire with yoke to a flat surface using user-supplied hardware. See Figure 2 for mounting hole locations.
2. Slightly loosen the four yoke bolts and tilt the luminaire to the desired position with your free hand. See Figures 2 & 3.
3. Retighten the bolts to secure the luminaire in place.

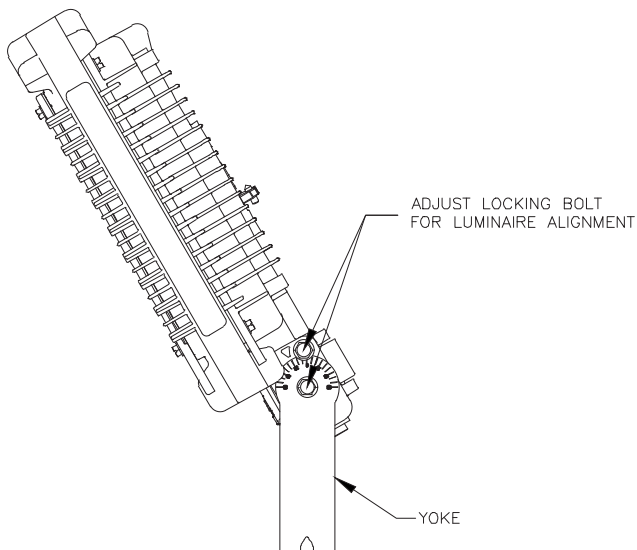


Figure 3: Adjusting the Luminaire with Yoke

Mounting with Optional Crossarm Mounting Bracket

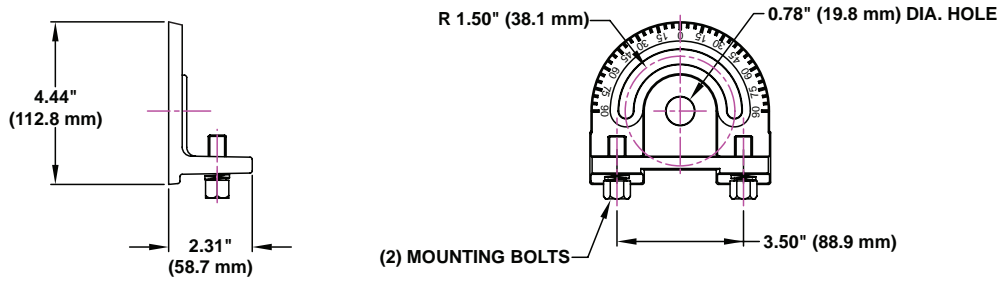


Figure 4: Crossarm Mounting Bracket (P/N: G-AM-8-CA)

1. Mount the luminaire with yoke to the crossarm mounting bracket with two 1/2 inch (12.7 mm) mounting bolts (supplied) and two 1/2 inch (12.7 mm) lockwashers (supplied). See Figures 4 & 5.
2. Mount the crossarm mounting bracket to a flat surface with one 3/4 inch (19 mm) bolt (not supplied). The crossarm mounting bracket may be locked into position with a 3/8 inch (9.5 mm) bolt (not supplied).

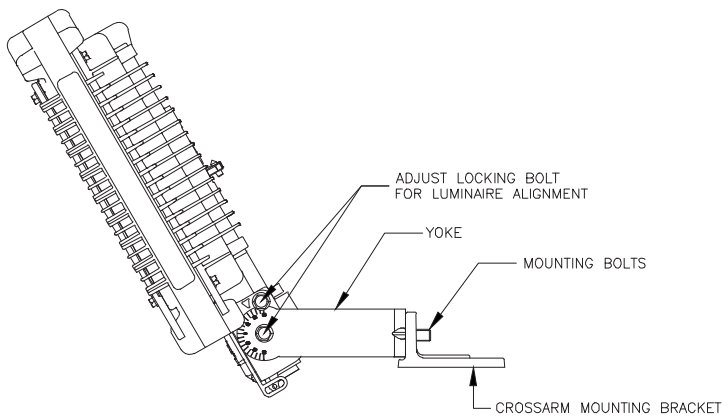


Figure 5: Luminaire with Crossarm Mounting Bracket (P/N: G-AM-8-CA)

Mounting with Optional Crossarm Mounting Bracket & Optional Pipe/Wall Mount Bracket

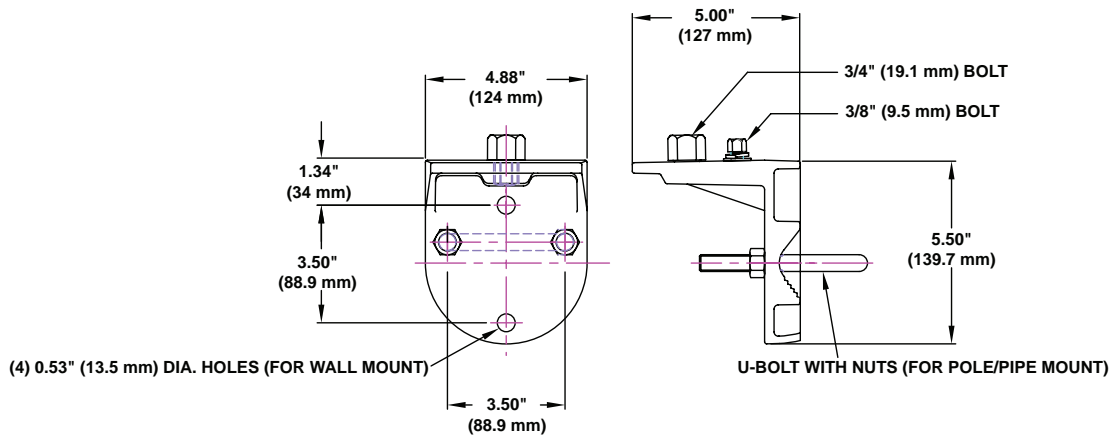


Figure 6: Pipe/Wall Mount Bracket (P/N: G-AM-8-WB)

3. Mount the pipe/wall mount bracket to a flat surface with user-supplied hardware or clamp to a pipe or pole [1 inch (25.4 mm) to 2-1/2 inch (63.5 mm)] with U-Bolt and nuts (supplied). Tighten nuts to secure in position. See Figures 6 & 7.
4. Mount the luminaire with yoke to the crossarm mounting bracket with two 1/2 inch (12.7 mm) bolts (supplied) and two 1/2 inch (12.7 mm) lockwashers (supplied). See Figures 4 & 5.
5. Mount the luminaire with yoke and crossarm mounting bracket (attached) to the pipe/wall mount bracket with one 3/4 inch (19 mm) bolt (supplied). See Figure 7.
6. Install one 3/8 inch (9.5 mm) bolt (supplied) through the crossarm mounting bracket and into the pipe/wall mount bracket. See Figure 7.
7. Aim the luminaire in the desired direction and tighten the 3/8 inch (9.5 mm) bolt to lock in place.

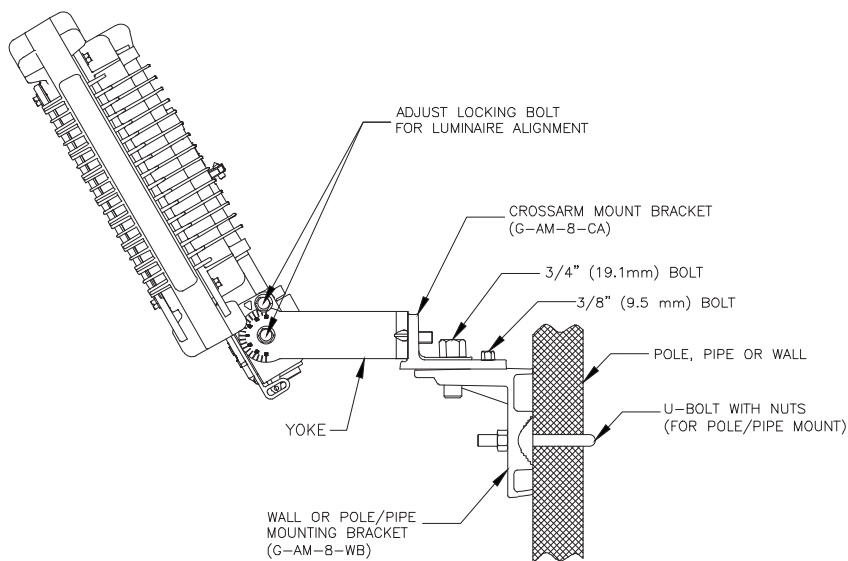


Figure 7: Luminaire with Crossarm Mounting Bracket (P/N: G-AM-8-CA) and Pipe/Wall Mount Bracket (P/N: G-AM-8-WB)

Mounting with Optional Poletop Slip-Fitter

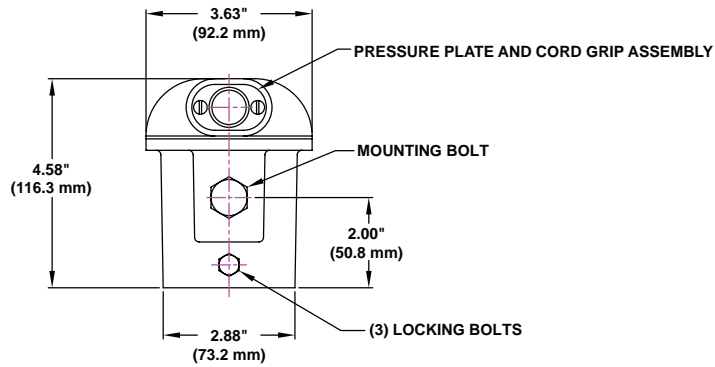


Figure 8: Poletop Slip-Fitter (P/N: G-SF20)

▲ NOTICE: Flexible cord or cable shall be used for extra hard, wet locations and have a temperature rating as indicated on the luminaire nameplate. The cord/cable should have a diameter between 1/2 inch and 5/8 inch (13 mm–16 mm). Cords/cables outside of this range may prevent the proper functioning of the pressure plate and cord grip assembly, and may result in water ingress. Make sure to tighten unused close-up plug to 400 in.-lb. (46 Nm) after applying lubricating grease. Lubricating grease shall be applied in 3 lines, spaced approximately 120 degrees apart, perpendicular to the threads.

1. Loosen the two screws on the pressure plate for cord/cable entrance. See Figure 8.
2. Feed the supply cord/cable up through the poletop slip-fitter and out through the cord grip assembly. Leave at least 10 inches (254 mm) of slack to make connections inside the luminaire. **NOTE:** #16 AWG (1.5 mm²) cord/cable is recommended.
3. Tighten the pressure plate screws.
4. Install the poletop slip-fitter onto a 1-1/2 inch (38.1 mm) or 2 inch (50.8 mm) pole. Tighten the three locking bolts.
5. Mount the luminaire with yoke to the poletop slip-fitter using the mounting bolt (supplied). Tighten the mounting bolt in place. See Figures 8 & 9.

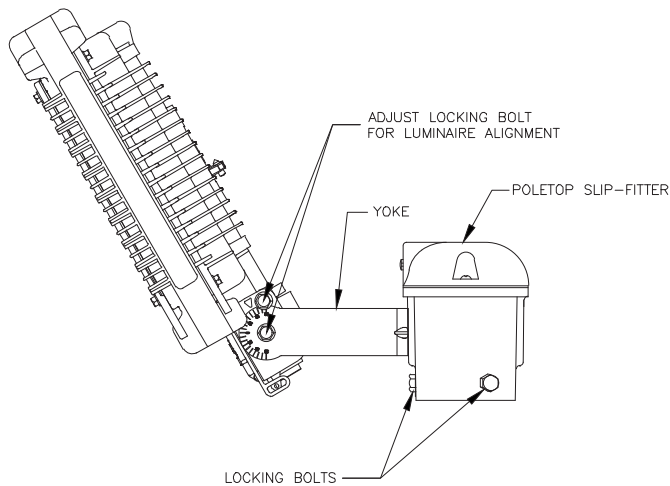


Figure 9: Luminaire with Poletop Slip-Fitter (P/N: G-SF20)

Mounting with Optional Poletop Slip-Fitters

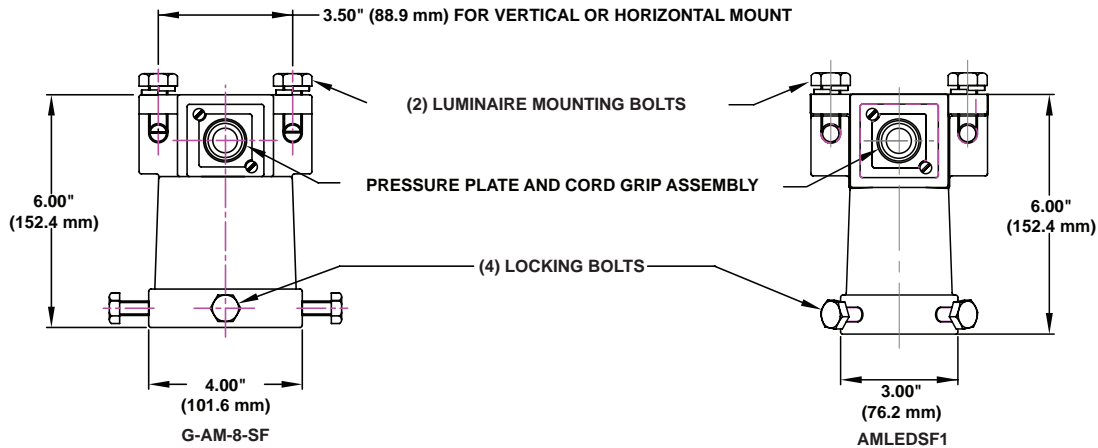


Figure 10: Poletop Slip-Fitters (P/Ns: G-AM-8-SF & AMLEDSF1)

▲ NOTICE: Flexible cord or cable shall be used for extra hard wet locations and have a temperature rating as indicated on the luminaire nameplate. The cord/cable should have a diameter between 1/2 inch and 5/8 inch (13 mm–16 mm). Cords/cables outside of this range may prevent the proper functioning of the pressure plate and cord grip assembly, and may result in water ingress. Make sure to tighten unused close-up plug to 400 in.-lb. (46 Nm) after applying lubricating grease. Lubricating grease shall be applied in 3 lines, spaced approximately 120 degrees apart, perpendicular to the threads.

1. Loosen the two screws on the pressure plate for cord/cable entrance. See Figure 10.
2. Feed the supply cord/cable up through the poletop slip-fitter and out through the cord grip assembly. Leave at least 10 inches (254 mm) of slack to make connections inside the luminaire. **NOTE:** #16 AWG (1.5 mm²) cord/cable is recommended.
3. Tighten the pressure plate screws.
4. For Poletop Slip-Fitter G-AM-8-SF: Install onto a 1-1/2 inch (38 mm) or 2 inch (51 mm) pole. Tighten the four locking bolts. For Poletop Slip-Fitter AMLEDSF1: Install onto a 1 inch (25 mm) or 1-1/2 inch (38 mm) pole. Tighten the four locking bolts.
5. Mount the luminaire with yoke to the poletop slip-fitter using the two luminaire mounting bolts (supplied). Tightly secure the bolts. See Figures 10 & 11.

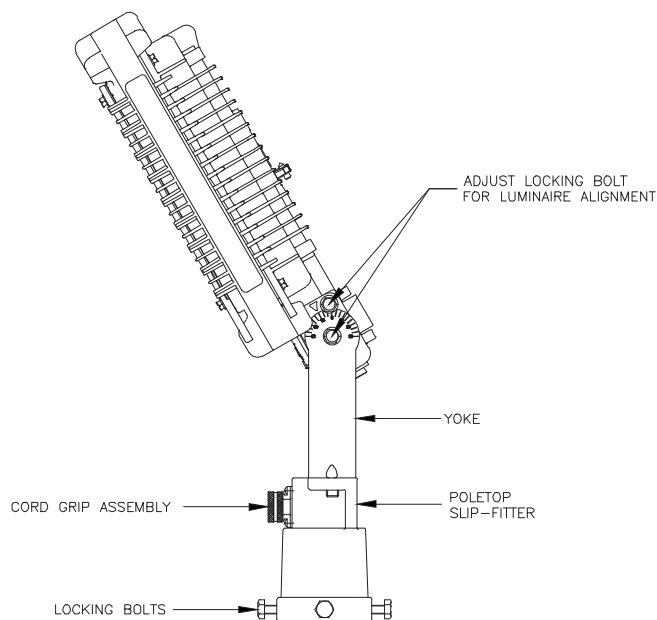


Figure 11: Luminaire with Poletop Slip-Fitter (P/N: G-AM-8-SF)

Wiring

▲ WARNING: The luminaire must be grounded. Verify that ground continuity has been established by using an Ohm meter or other suitable testing equipment before energizing the luminaire. Failure to properly ground the luminaire will create an electric shock hazard, which can cause serious injury or death.

Wiring the Areamaster High Lumen LED Luminaire

1. Open the luminaire wiring compartment by loosening the four captive screws. Allow the cover to swing open, exposing the wiring compartment. See Figure 13.

2. A. Wiring with Cable

1. Strip the cable outer jacket as required.
2. Insert the cable through the conduit entry (with appropriate fitting attached) to the luminaire wiring compartment.

B. Wiring with Individual Conductor Wire

1. Run conductors down through the conduit to the luminaire wiring compartment.

NOTE: See the product nameplate for supply wire requirements. The terminal block can accept 24–10 AWG (0.2 mm²–5.26 mm²) wire. Use the appropriate wire gauge based on the application.

3. Strip the individual conductors to bare wire and insert them into the proper terminal block connections. The connection points are identified on the terminal block as: “L” = Line, “N” = Neutral, and “G” = Ground. Tighten down the terminal block screws onto the wire. See Figures 13.
4. Once the terminal block is wired to incoming power, close the luminaire wiring compartment cover.
5. Tighten the four captive screws by applying a minimum of 14 in.-lb. (1.58 Nm) using an (x) pattern.

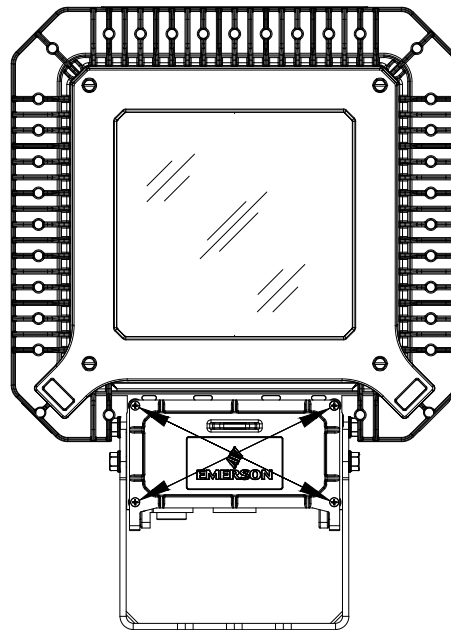


Figure 12:(x) Pattern

6. Close all unused conduit entries with close-up plug (1 supplied). Make sure to tighten unused close-up plug to 400 in.-lb. (46 Nm) after applying lubricating grease. Lubricating grease shall be applied in 3 lines, spaced approximately 120 degrees apart, perpendicular to the threads.
7. Power can now be applied to the luminaire.

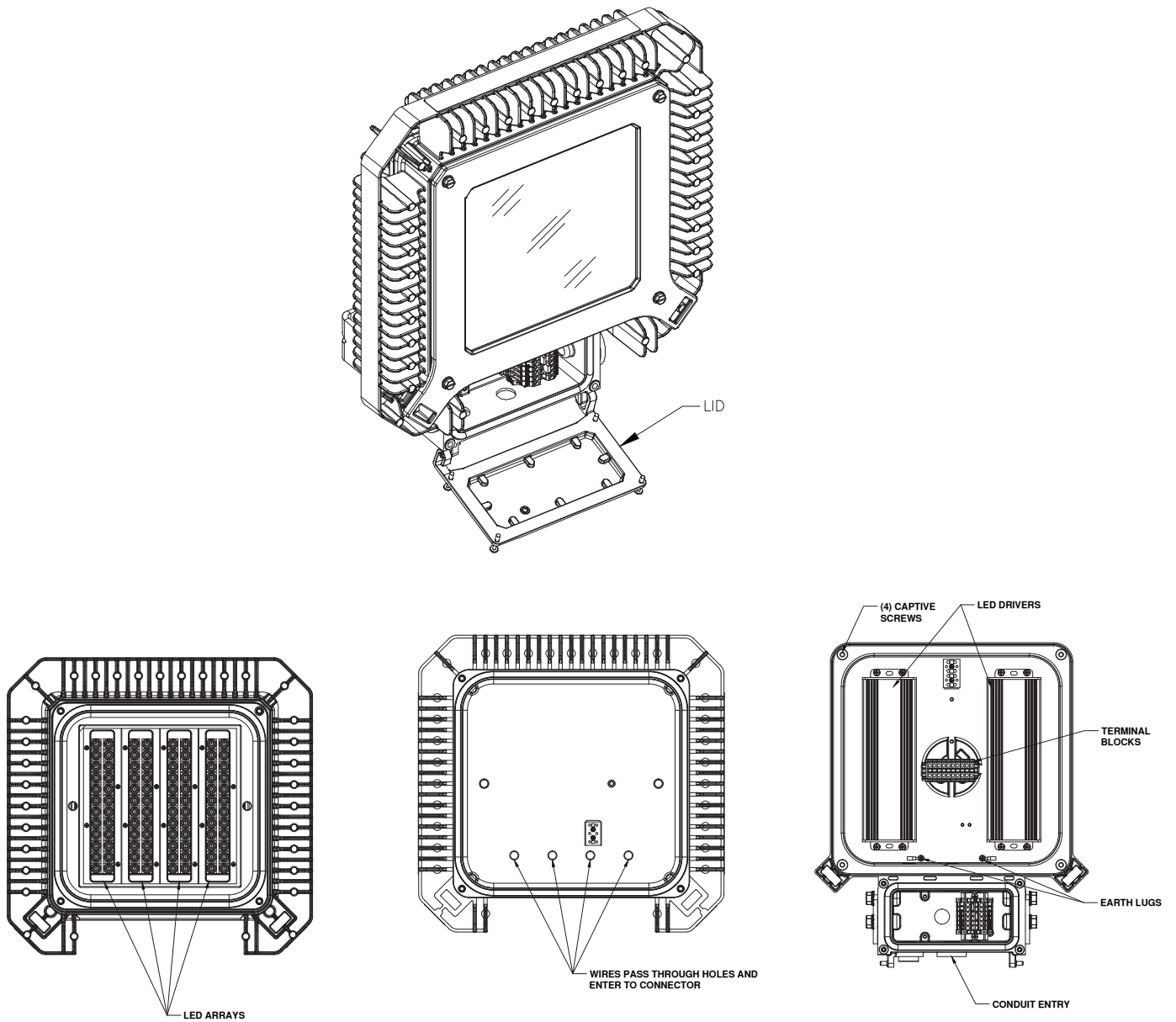
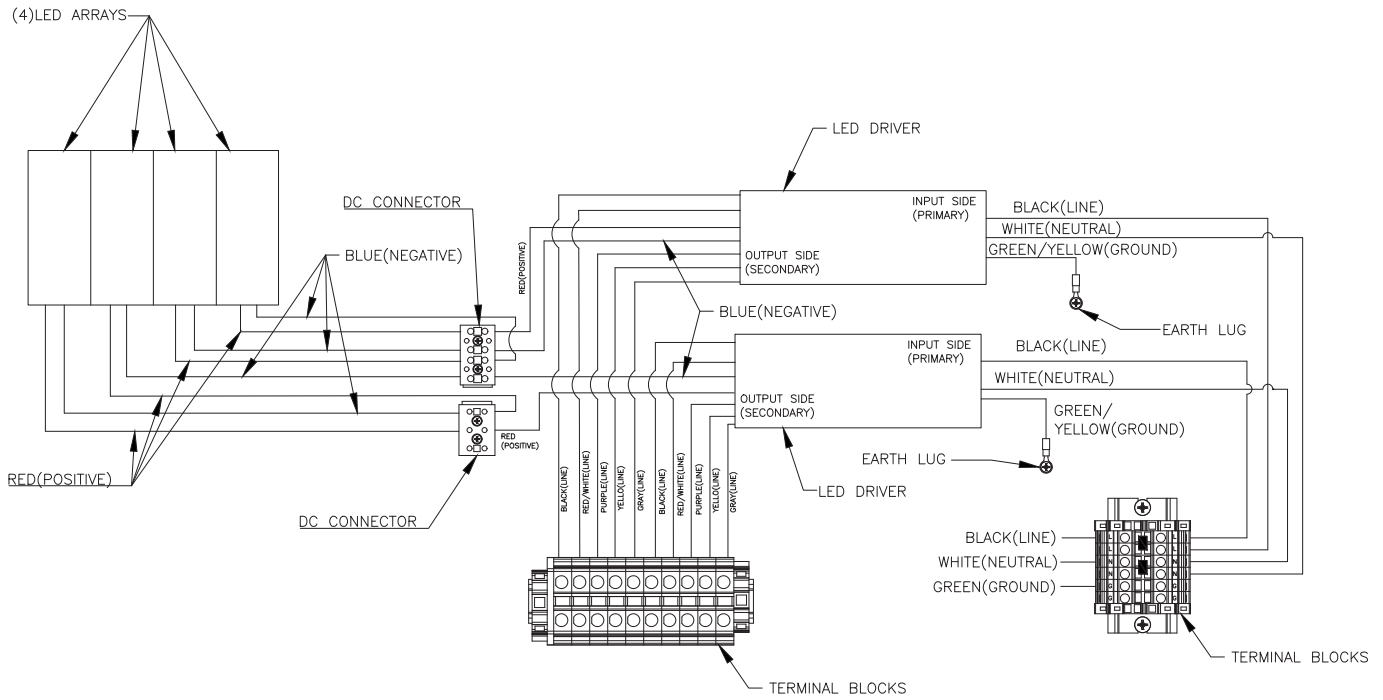


Figure 13: Wiring Compartment

Operating Instructions

To operate the Areamaster High Lumen family of luminaires, ensure that power is live to the fixture after wiring and closing all wiring compartments. 120–277 VAC or 170–300 VDC is the acceptable range of voltages on these products.



LED Circuit

Figure 14: Wiring Diagram

Except as expressly provided by Appleton Grp, LLC (Appleton), Appleton products are intended for ultimate purchase by industrial users and for operation by persons trained and experienced in the use and maintenance of this equipment and not for consumers or consumer use. Appleton warranties DO NOT extend to, and no reseller is authorized to extend Appleton's warranties to any consumer.

While every precaution has been taken to ensure accuracy and completeness in this manual, Appleton Grp, LLC, assumes no responsibility, and disclaims all liability for damages resulting from use of this information or for any errors or omissions. Specifications are subject to change without notice. The Appleton and Emerson logos are registered in the U.S. Patent and Trademark Office. All other product or service names are the property of their registered owners.

©2019 Appleton Grp, LLC. All rights reserved.

Instructions d'installation pour luminaire Appleton™ Areamaster Flux Lumineux Élevée Luminaire LED - Montage sur étrier - Série AMHZ

POUR UNE INSTALLATION PROPRE ET SÛRE DE CE PRODUIT, VEUILLEZ LIRE LES INSTRUCTIONS SUIVANTES.

Sécurité du produit

Mentions d'avertissement définies

DANGER indique une situation dangereuse qui, s'elle n'est pas évitée, entraînera la mort ou des blessures graves. **AVERTISSEMENT** indique une situation dangereuse qui, si elle n'est pas évitée, pourrait entraîner la mort ou des blessures graves. **ATTENTION** indique une situation potentiellement dangereuse qui, si elle n'est pas évitée, pourrait entraîner des blessures mineures. **NOTE** est utilisé pour soulever des pratiques non reliées à des lésions physiques.

Consignes de sécurité

▲ AVERTISSEMENT:

- N'ouvrez pas ou ne retirez pas le luminaire quand le circuit est alimenté.
- N'utilisez pas ce luminaire sur des systèmes non mis à la terre. Ne pas raccorder à la terre ce luminaire risque de provoquer une électrocution qui peut être fatale.
- N'utilisez pas sur des circuits 480 Volts non mis à la terre.

▲ ATTENTION:

- Ne regardez pas directement en direction des LEDs lorsque celles-ci sont alimentées.

▲ NOTE:

- Ne touchez pas les LEDs, le contact pourrait laisser des dépôts gras, créant des points chauds et une défaillance prématurée.
- Ce produit doit être installé conformément au code d'installation applicable par une personne familière avec la construction et le fonctionnement du produit et les dangers associés.
- Ce luminaire est conçu pour et doit être installé conformément à tous les codes locaux applicables.

Maintenance

Il n'y a pas d'exigences de maintenance ou de restrictions quant à l'utilisation de la famille de luminaires Areamaster High Lumen. Cependant, s'il y a une diminution notable de la lumière due à la poussière ou à des débris, il est conseillé d'essuyer la surface de la lentille avec un chiffon humide.

Marine et zones dangereuses

▲ ATTENTION:

- Pour réduire le risque d'inflammation des atmosphères potentiellement dangereuses, déconnecter le luminaire du circuit d'alimentation avant de l'ouvrir. Maintenez fermé fermement pendant le fonctionnement.
- Assurez-vous de serrer l'obturateur inutilisé à 400 lb-pouces (46 Nm) après avoir appliqué de la graisse lubrifiante. La graisse lubrifiante doit être appliquée en 3 lignes, espacées d'environ 120 degrés, perpendiculairement aux filets.
- Lorsqu'un câble souple est utilisé, il doit être approuvé pour une utilisation dans un endroit très rude et humide et doit avoir un conducteur de mise à la terre séparé.

Classements de l'agence: (NEC/CEC)

- Classe I, Division 2, Groupes A, B, C et D
- Classe II, Division 1, Groupes E, F et G
- Classe II, Division 2, Groupes F et G
- Classe III
- Exposition simultanée
- Classe, Zone 1, AEx eb mb IIC T4/T5/T6 Gb
- Classe, Zone 21, AEx, tb IIIC T75°C/T85°C/T100°C Db
- Zone 1, Ex eb mb IIC T4/T5/T6 Db
- Zone 21, Ex tb IIIC T75°C/T85°C/T100°C Db
- Zones humides
- Type extérieur marin (eau salée) pour les États-Unis uniquement
- Types 3R, 4, 4X
- IP66/67

Classes attribuées par agence: (CEI)

Pour les numéros de catalogue commençant par “AMHZ” et se terminant par “BU”

INSTRUCTIONS D'INSTALLATION POUR PROJECTEUR LED ZONE 1 - Type AMHZ

Équipement	 II 2 GD II 3 GD
Niveau De Protection	Gb - Gc - Db - Dc
Mode de protection	Ex eb mb op is IIC Ex op is tb IIIC
Classe de température	T# - T# #
Température ambiante	-40°C ≤ Ta ≤ +65°C
Certificat ATEX	ITS 18 ATEX 303521
Certificat IECEX	IECEX ITS 18.0031
Codes IP & IK	IP66, IP67, IK08

# GAS			
Ambiante	40°C	55°C	65°C
AMHZL1	T5	T4	T4
AMHZL2	T4	T4	T4
AMHZL3	T4	T4	--

## POUSSIÈRE			
Ambiante	40°C	55°C	65°C
AMHZL1	85°C	100°C	100°C
AMHZL2	85°C	100°C	100°C
AMHZL3	100°C	100°C	--

PARAMÈTRES ÉLECTRIQUES								
Tension de ligne (V)				AMHZ1	AMHZ2	AMHZ3		
	(CA)	120-277	Courant de ligne Max. (A)	CA	1.4	1.7	2.4	
(CC)	170-300	CC		1.0	1.2	1.7		
Fréquence de ligne CA	(Hertz)	50/60	Puissance Max de ligne (W)	CA	165	205	275	
				CC	162	202	270	

Dimensions

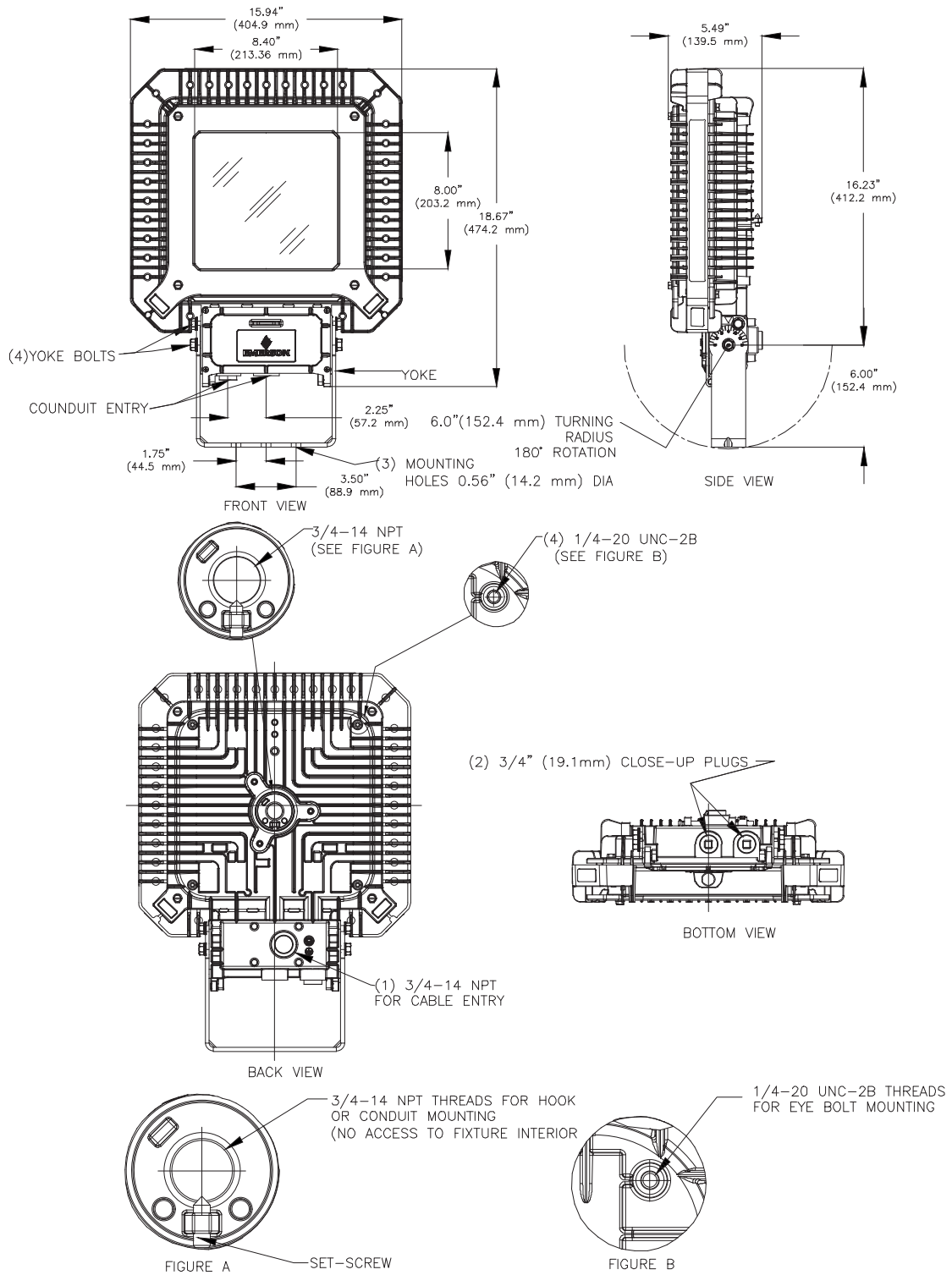


Figure 1: Luminaire Areamaster High Lumen LED

Options de montage

Montage sur étrier

Le luminaire Areamaster High Lumen LED avec étrier (fourni) se monte directement sur des surfaces planes. La culasse a un trou de dégagement central pour un boulon de 1/2 pouce (12,7 mm) et deux trous de dégagement de 1/2 pouce (12,7 mm) espacés de 3-1/2 pouces (88,9 mm) sur la ligne centrale de l'étrier. Voir la Figure 2.

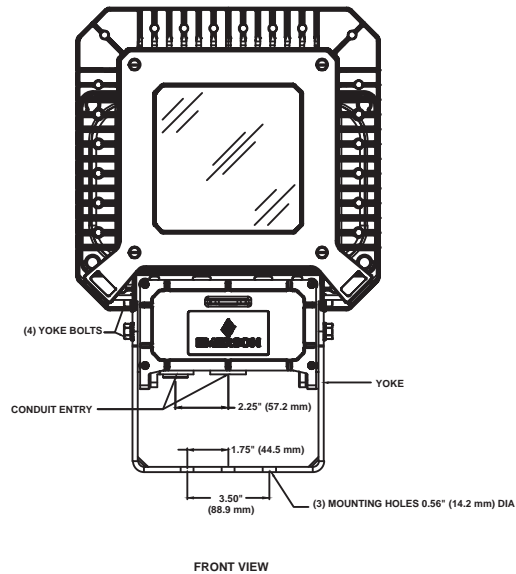


Figure 2: Luminaire avec étrier de montage

Montage avec étrier de montage

1. Montez le luminaire avec étrier sur une surface plane à l'aide de matériel fourni par l'utilisateur. Voir la figure 2 pour l'emplacement des trous de montage.
2. Desserrer légèrement les quatre boulons de l'étrier et incliner le luminaire dans la position désirée avec votre main libre. Voir Figures 2 et 3.
3. Resserrez les boulons pour fixer le luminaire en place.

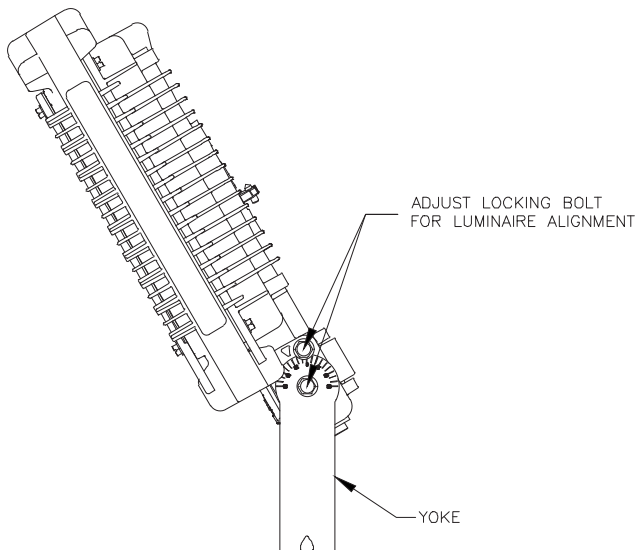


Figure 3: Régler le luminaire avec l'étrier de montage

Montage avec le support de montage à bras croisés optionnel

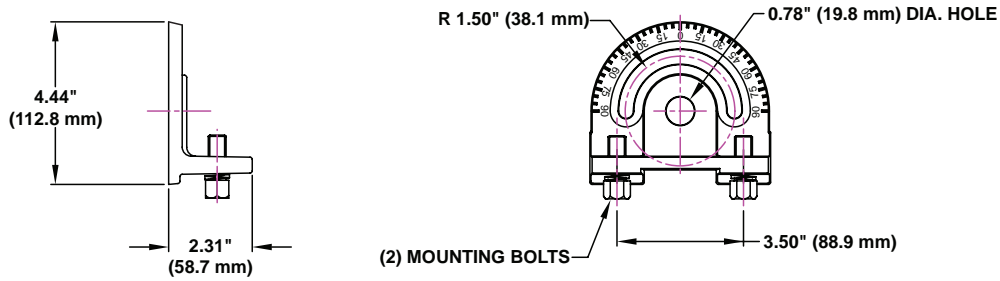


Figure 4: Support de montage à bras croisés (P/N: G-AM-8-CA)

1. Fixez le luminaire avec son étrier sur le support de montage à bras croisés à l'aide de deux boulons de montage de 1/2 pouce (12,7 mm) (fournis) et de deux rondelles de blocage de 1/2 pouce (12,7 mm) (fournies). Voir Figures 4 et 5.
2. Fixez le support de montage à bras croisés sur une surface plane avec un boulon de 3/4 de pouce (19 mm) (non fourni). Le support de montage à bras croisés peut être bloqué en position à l'aide d'un boulon de 3/8 de pouce (9,5 mm) (non fourni).

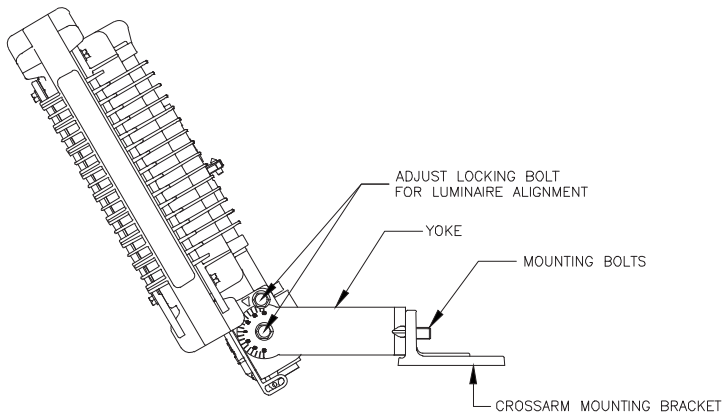


Figure 5: Luminaire avec support de montage à bras croisés (P/N: G-AM-8-CA)

Montage avec le support de montage à bras croisés & le support optionnel de montage mural/sur tube

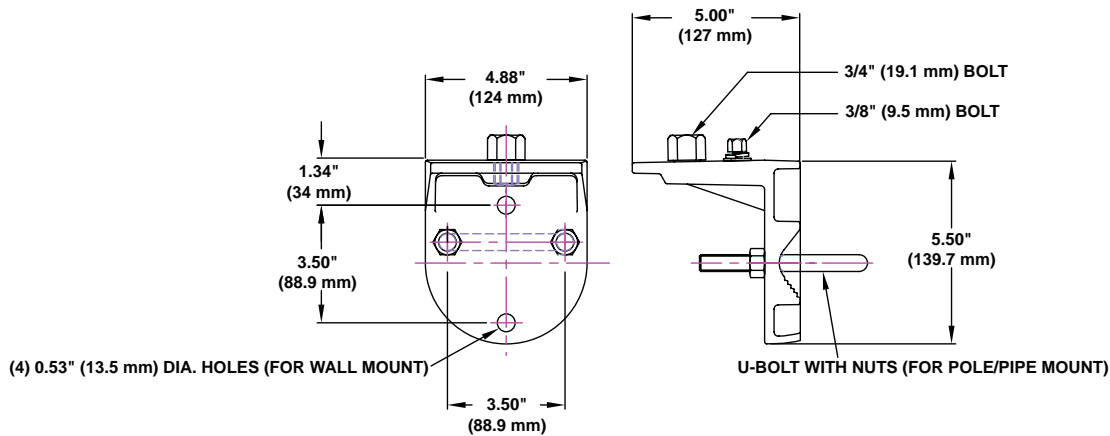


Figure 6: Support de montage sur tube/mural (P/N: G-AM-8-WB)

3. Mount the pipe/wall mount bracket to a flat surface with user-supplied hardware or clamp to a pipe or pole [1 inch (25.4 mm) to 2-1/2 inch (63.5 mm)] with U-Bolt and nuts (supplied). Tighten nuts to secure in position. See Figures 6 & 7.
4. Mount the luminaire with yoke to the crossarm mounting bracket with two 1/2 inch (12.7 mm) bolts (supplied) and two 1/2 inch (12.7 mm) lockwashers (supplied). See Figures 4 & 5.
5. Mount the luminaire with yoke and crossarm mounting bracket (attached) to the pipe/wall mount bracket with one 3/4 inch (19 mm) bolt (supplied). See Figure 7.
6. Install one 3/8 inch (9.5 mm) bolt (supplied) through the crossarm mounting bracket and into the pipe/wall mount bracket. See Figure 7.
7. Aim the luminaire in the desired direction and tighten the 3/8 inch (9.5 mm) bolt to lock in place.

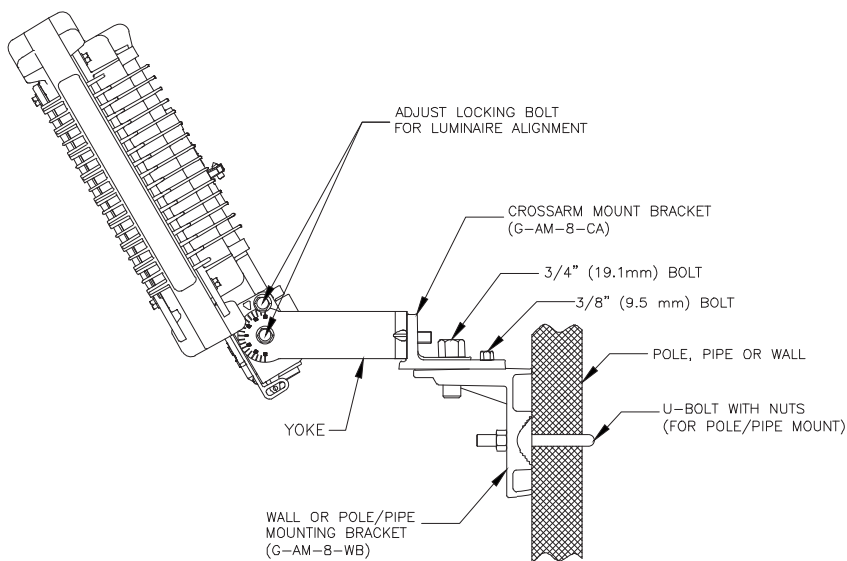


Figure 7: Luminaire avec support de montage à bras croisés (P/N: G-AM-8-CA) et support de montage sur tube/mural (P/N: G-AM-8-WB)

Montage avec dispositif d'insertion pour tête de poteau optionnel

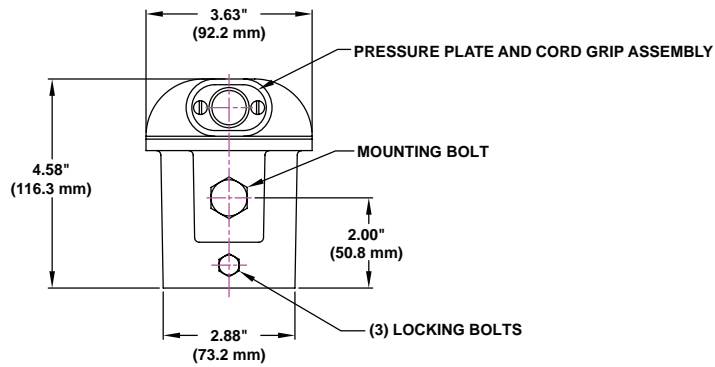


Figure 8: Dispositif d'insertion pour tête de poteau (P/N: G-SF20)

▲ NOTE: Un cordon ou câble souple doit être utilisé dans les endroits très difficiles et humides et avoir une température nominale comme indiqué sur la plaque signalétique du luminaire. Le cordon/câble doit avoir un diamètre compris entre 1/2 pouce et 5/8 pouce (13 mm-16 mm). Les cordons/câbles situés à l'extérieur de cette plage peuvent empêcher le bon fonctionnement de la plaque de pression et du dispositif de serrage du cordon, ce qui peut entraîner l'infiltration d'eau. Assurez-vous de serrer l'obturateur inutilisé à 400 lb-pouces (46 Nm) après avoir appliqué de la graisse lubrifiante. La graisse lubrifiante doit être appliquée en 3 lignes, espacées d'environ 120 degrés, perpendiculairement aux filets.

1. Desserrez les deux vis de la plaque de pression pour l'entrée du cordon/câble. Voir Figure 8.
2. Faites passer le cordon d'alimentation/câble par le dispositif d'insertion pour tête de poteau et ressortez celui-ci par le dispositif de serrage du cordon. Laissez au moins un jeu de 10 pouces (254 mm) pour effectuer les connexions à l'intérieur du luminaire.
NOTE: câble de #16 AWG (1.5 mm²) est recommandé.
3. Serrez les vis de la plaque de pression.
4. Installez le dispositif d'insertion pour tête de poteau sur un poteau de 1-1/2 pouce (38,1 mm) ou 2 pouces (50,8 mm). Serrez les trois boulons de blocage.
5. Installez le luminaire avec son étrier sur le dispositif d'insertion pour tête de poteau à l'aide du boulon de montage (fourni). Serrez le boulon de montage en place.
Voir Figures 8 et 9.

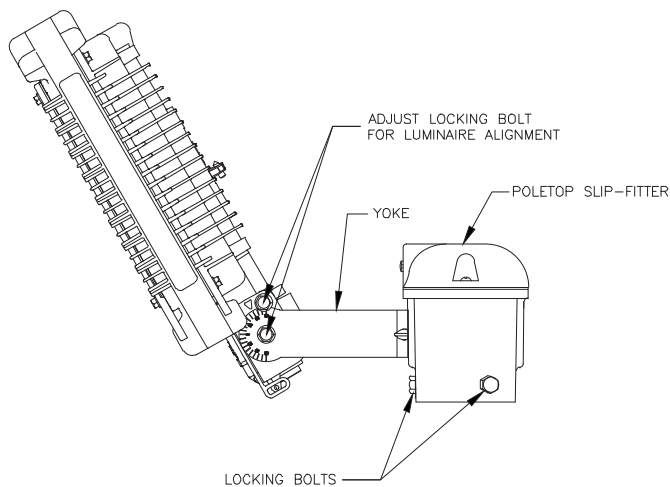


Figure 9: Luminaire avec dispositif d'insertion pour tête de poteau (P/N: G-SF20)

Montage avec dispositifs d'insertion pour tête de poteau optionnels

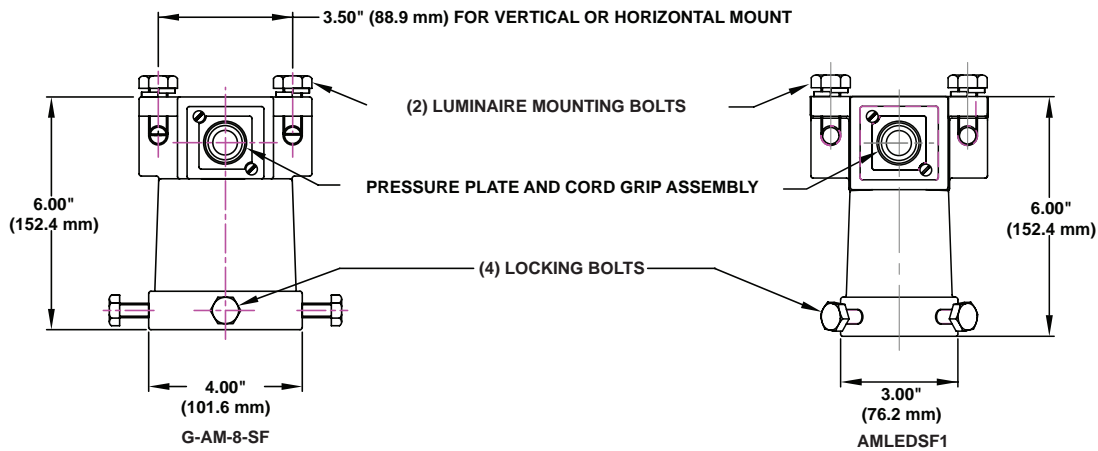


Figure 10: Dispositifs d'insertion pour tête de poteau (P/Ns: G-AM-8-SF & AMLEDSF1)

▲ NOTE: Un cordon ou câble souple doit être utilisé dans les endroits très difficiles et humides et avoir une température nominale comme indiqué sur la plaque signalétique du luminaire. Le cordon/câble doit avoir un diamètre compris entre 1/2 pouce et 5/8 pouce (13 mm-16 mm). Les cordons/câbles situés à l'extérieur de cette plage peuvent empêcher le bon fonctionnement de la plaque de pression et du dispositif de serrage du cordon, ce qui peut entraîner l'infiltration d'eau. Assurez-vous de serrer l'obturateur inutilisé à 400 lb-pouces (46 Nm) après avoir appliqué de la graisse lubrifiante. La graisse lubrifiante doit être appliquée en 3 lignes, espacées d'environ 120 degrés, perpendiculairement aux filets.

1. Desserrez les deux vis de la plaque de pression pour l'entrée du cordon/câble. Voir Figure 10.
2. Faites passer le cordon d'alimentation/câble par le dispositif d'insertion pour tête de poteau et ressortez celui-ci par le dispositif de serrage du cordon. Laissez au moins un jeu de 10 pouces (254 mm) pour effectuer les connexions à l'intérieur du luminaire.
NOTE: câble de #16 AWG (1.5 mm²) est recommandé.
3. Serrez les vis de la plaque de pression.
4. Pour dispositif d'insertion pour tête de poteau G-AM-8-SF: Installez-le sur un poteau de 1-1/2 pouce (38 mm) ou 2 pouces (51 mm). Serrez les quatre boulons de blocage. Pour dispositif d'insertion pour tête de poteau AMLEDSF1: Installez-le sur un poteau de 1 pouce (25 mm) ou 1-1/2 pouce (38 mm). Serrez les quatre boulons de blocage.
5. Installez le luminaire avec son étrier sur le dispositif d'insertion pour tête de poteau à l'aide des deux boulons de fixation du luminaire (fournis). Serrez fermement les boulons. Voir Figures 10 et 11.

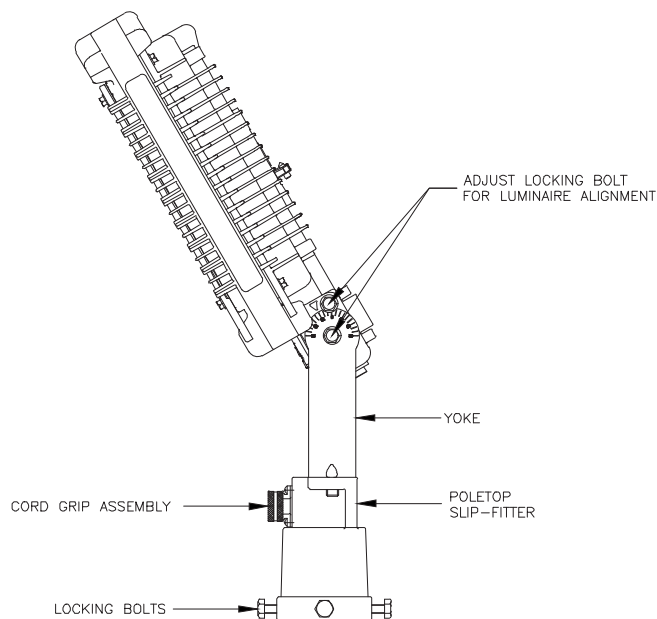


Figure 11: Luminaire avec dispositif d'insertion pour tête de poteau (P/N: G-AM-8-SF)

Câblage

▲ AVERTISSEMENT: Le luminaire doit être raccordé à la terre. Avant d'alimenter le luminaire, vérifiez à l'aide d'un ohmmètre ou d'un autre équipement de test approprié, que la continuité de terre a été réalisée. Si le luminaire n'est pas correctement mis à la terre, il y a risque d'électrocution, ce qui peut causer des blessures graves ou la mort.

Câbler le luminaire Areamaster High Lumen LED

1. Ouvrez le compartiment de câblage du luminaire en desserrant les quatre vis imperdables. Permettez au couvercle de s'ouvrir, exposant ainsi le compartiment de câblage. Voir Figure 13.

2. A: Câblage avec câble

1. Dénudez la gaine extérieure du câble selon les besoins.

2. Insérez le câble à travers l'entrée de la gaine (avec le connecteur approprié) jusqu'au compartiment de câblage du luminaire.

B. Câblage avec conducteur séparé

1. Faites descendre les conducteurs à travers la gaine jusqu'au compartiment de câblage du luminaire.

NOTE: Voir la plaque signalétique du produit pour les exigences relatives aux fils d'alimentation. Le bornier peut accepter du fil 24-10 AWG (0.2 mm²-5.26 mm²). Utiliser le calibre de fil approprié en fonction de l'application.

3. Dénudez les conducteurs individuels pour dénuder le fil et insérez-les dans les connexions appropriées du bornier. Les points de connexion sont identifiés comme suit sur le bornier: "L" = Ligne, "N" = Neutre, and "G" = Terre. Serrez les vis du bornier sur le fil. Voir Figure 13.

4. Une fois que le bornier est branché à l'alimentation électrique entrante, fermez le couvercle du compartiment de câblage du luminaire.

5. Serrer les quatre vis imperdables en appliquant un minimum de 14 in.-lb. (1.58 Nm) en utilisant un schéma en (x).

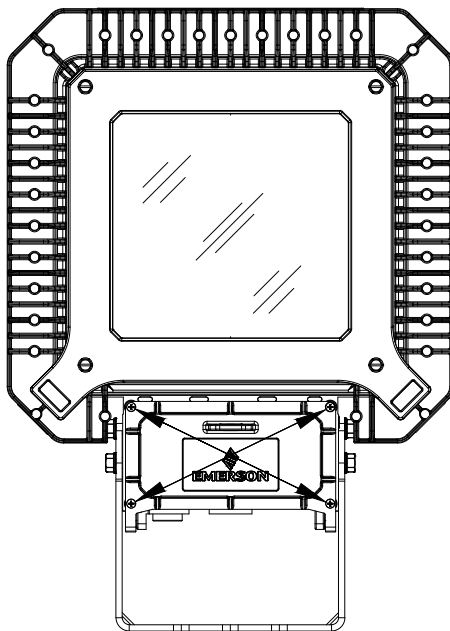


Figure 12: Schéma en (x)

6. Fermer toutes les entrées de gaine inutilisées à l'aide d'un obturateur(1 fourni). Assurez-vous de serrer l'obturateur inutilisé à 400 lb-pouces (46 Nm) après avoir appliqué de la graisse lubrifiante. La graisse lubrifiante doit être appliquée en 3 lignes, espacées d'environ 120 degrés, perpendiculairement aux filets.

7. L'alimentation peut maintenant être appliquée au luminaire.

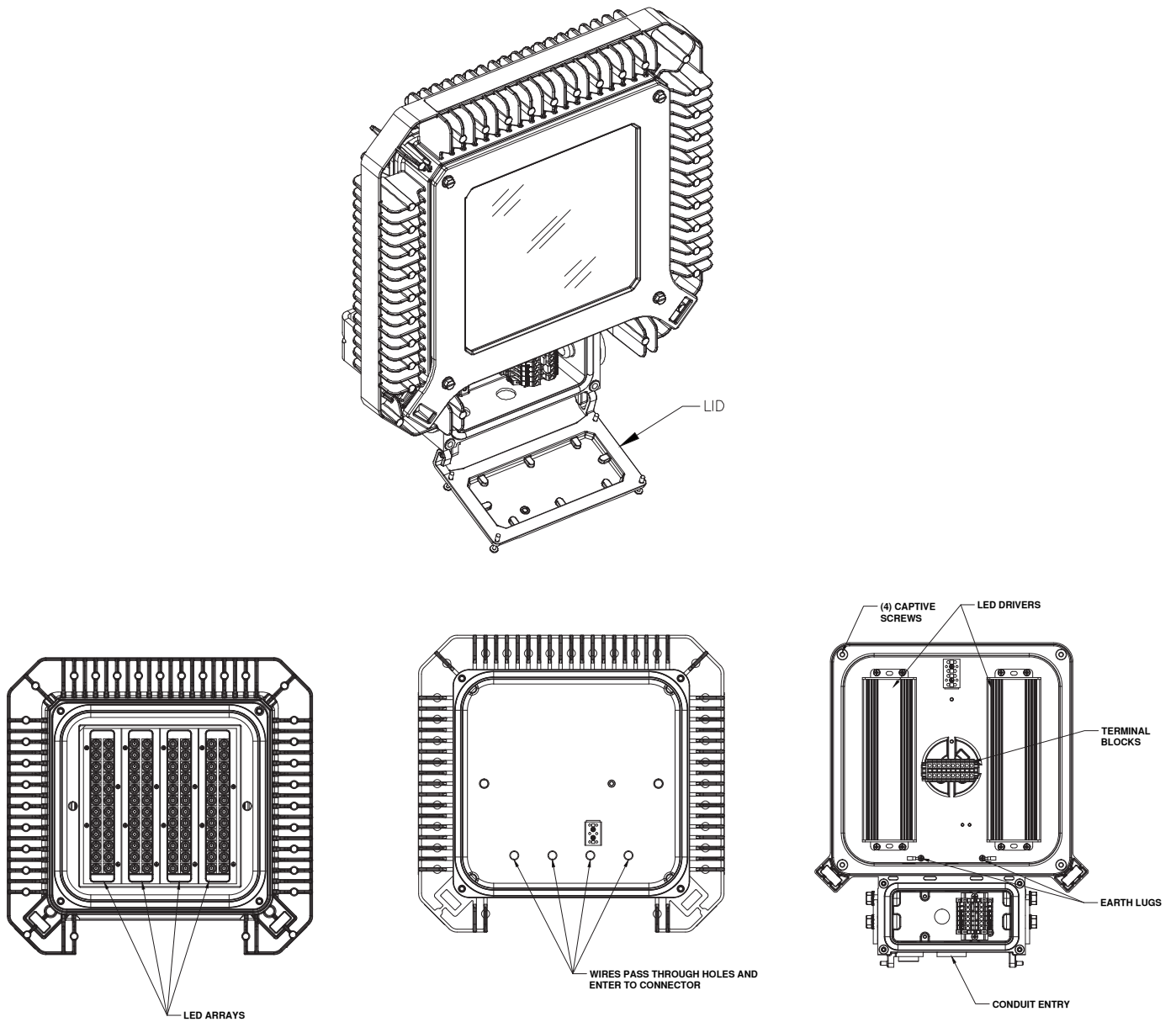
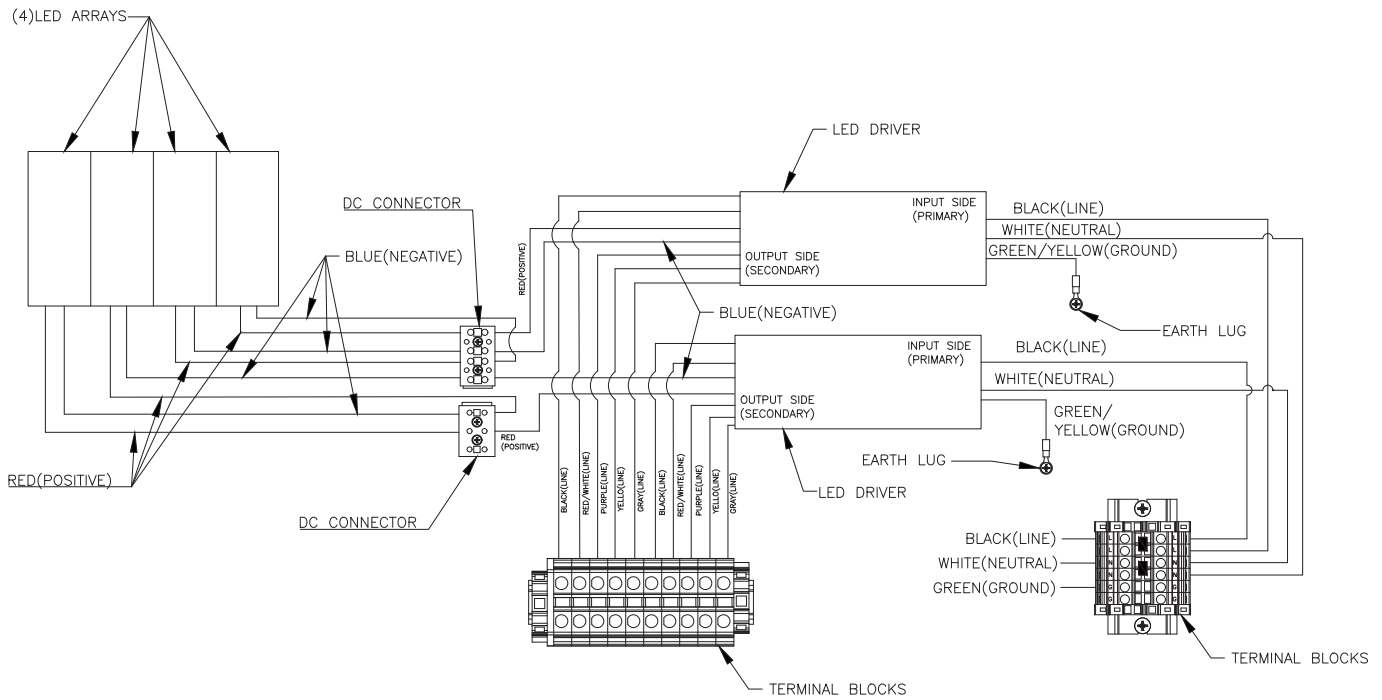


Figure 13: Compartiment de câblage

Mode d'emploi

Pour faire fonctionner la famille de luminaires Areamaster High Lumen, assurez-vous que la tension d'alimentation du luminaire est bien présente après le câblage et que tous les compartiments de câblage sont fermés. 120–277 V CA ou 170–300 V Cc est la plage de tensions qui est acceptable pour ces produits.



Circuit LED

Figure 14: Diagramme du câblage

Sauf disposition contraire expresse d'Appleton Grp, LLC (Appleton), les produits Appleton sont destinés à un achat final par des utilisateurs industriels et pour une utilisation par des personnes qualifiées et expérimentées dans l'utilisation et l'entretien de cet équipement et non pas par des clients ou des utilisateurs particuliers. Les garanties Appleton NE s'appliquent PAS à des utilisateurs particuliers et aucun détaillant n'est autorisé à prolonger les garanties Appleton à un consommateur quelconque.

Bien que toutes les précautions possibles aient été prises pour garantir l'exactitude et l'exhaustivité de ce manuel, Appleton Grp, LLC, décline toute responsabilité quant aux dommages résultant de l'utilisation de ces informations ou aux erreurs ou omissions éventuelles. Les spécifications sont sujettes à modification sans préavis. Les logos Appleton et Emerson sont déposés auprès du bureau des brevets et des marques déposées des États-Unis (U.S. Patent and Trademark Office). Tous les autres noms de produits ou de services appartiennent à leurs propriétaires respectifs.

©2019 Appleton Grp, LLC. Tous droits réservés.