

IHC LED Series Luminaires

High Lumen Output High Bay and Floodlight
Ordinary Locations

NEC/CEC: Type 3R, 4, 4X | IP66 | Marine Outside Type (Salt Water) for USA ONLY | Wet Locations
IECEE CB: IP66
Markings: CE | UKCA
Notable: American Bureau of Shipping (ABS) Certified | 3G Vibration

Applications

- Powerful, efficient weatherproof lighting for applications such as:
 - Steel Production Plants
 - Power Generation Facilities
 - Foundries
 - Cement, Stone and Sand Plants
 - Pulp and Paper Mills
 - Ship Building and Shipping Ports
 - Hydrogen and Biofuels plants
 - LNG (Liquid Natural Gas) plants
 - Other areas where corrosive, wet, dirty and tough environments are a problem
- High ceilings of 15 meters (50 feet) to greater than 30 meters (100 feet).
- IP66, Type 4X, marine and wet locations.
- Locations requiring dependable, consistent lighting in extreme hot/cold temperature environments.
- 40 °C to +75 °C (-40 °F to +167 °F) ambient temperature range
- Globally rated luminaires with all applicable certification labels for NEC, CEC, IECEE CB, CE and UKCA environments. See Certifications and Compliances for details.

Features

- Four lumen outputs provide up to 90,000 lumens.

Nominal Lumens ^①	Model
50,000	IHC*5
60,000	IHC*6
75,000	IHC*7
90,000	IHC*9

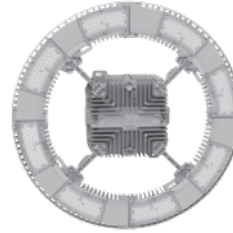
- Choice of four optics (Very Narrow, Narrow, Medium and Very Wide) for optimal light distribution in a variety of applications.
- Luminaire can be ordered with Cable or Bracket mounting accessories.
- Separate field wiring compartment with screw terminal block for easy and secure connection (can accept 0.14 - 6 mm² (26 - 10 AWG) wire).
- Four 3/4 in. NPT side entries provided with three close-up plugs. Optional M20 metric adapters available.
- Choice of color temperature (CCT): 5000K cool white, 4000K neutral white, or 3000K warm white.
- Reported L70 is > 60,000 hours @ +65°C (+149 °F).
- Rugged housing with superior thermal design translates to long luminaire life.
- Heavy duty, high temperature silicone rubber gaskets.
- Thermal shock and impact resistant clear polycarbonate lens.
- Standard 8 kV/4 kA surge protection. Optional 10 kV/5 kA and 20 kV/10 kA additional surge protection available.
- Captive fasteners secure driver compartment cover.
- 0-10 Vdc Dimming capable.
- Field replaceable LED drivers.
- Photometric data and electronic drawings available upon request.
- 10 year standard warranty.

Options

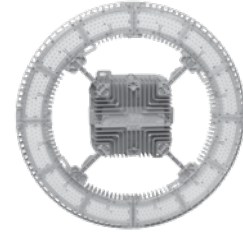
- Pre-wired version with 3 meter (10 foot) cord available.
- 10 kV/5 kA and 20 kV/10 kA Surge Protection.
- Photocontrol socket available for outdoor installations.
- 2.4 meter (8 foot) safety cable, purchase separately.

Standard Materials

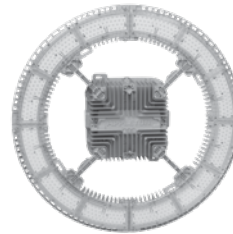
- Housing, LED heatsink, and driver compartment cover: copperfree (4/10 of 1% max.) aluminum



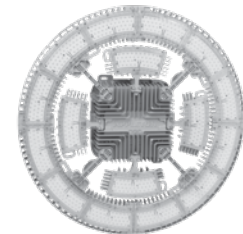
IHC*5 - 50,000 Lumens



IHC*6 - 60,000 Lumens



IHC*7 - 75,000 Lumens



IHC*9 - 90,000 Lumens

- Bracket: zinc plated steel
- Gaskets: silicone rubber
- Exterior hardware: stainless steel
- Close up plugs: aluminum
- Cable mount components: stainless steel
- Safety cable: stainless steel

Standard Finishes

- Housing, LED heatsink, driver compartment cover and bracket: baked gray epoxy powder coat finish, electrostatically applied for complete uniform protection

NEC/CEC Certifications and Compliances

- UL Standards: UL 1598; UL 1598A; UL 8750; UL 50; UL 50E
- CSA Standards: CSA C22.2 No. 250.0; CSA C22.2 No. 250.13; CSA C22.2 No. 94.1; CSA C22.2 No. 94.2
- cULus Certificate: E479986
- Vibration Rating: 3G, 2 hours, 3 axis at first mode resonant frequency

IECEE CB Certificates and Compliances

- IEC 60529, IEC 60598-1, IEC 60598-2-1, and IEC 60598-2-5
- IECEE CB Certificates: JPTUV-129388, JPTUV-129481, JPTUV-131820, JPTUV-131824
- Photobiological Safety, IEC 62778 and IEC 62471: RG01 for all models when positioned at a distance of more than 6.67 m (21.88 ft) so that prolonged staring into the luminaire is not expected

CE and UKCA Marking

- Safety: EN 60598-1, EN 60598-2-1, and EN 60598-2-5
- EMC: EN 61547, 61000-6-2, 61000-6-4, 61000-3-2; CISPR 15

ABS Certifications:

- IHC: 21-2175976-PDA

DesignLights™ Consortium

- Check DLC QPL for current list of products.

^① Nominal lumen value for 5000K, Medium Beam, with clear polycarbonate lens. Refer to Lumen Output Table for details.

IHC LED Series Luminaires

High Lumen Output High Bay and Floodlight
Ordinary Locations

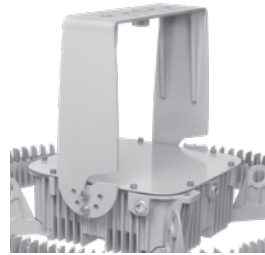
NEC/CEC: Type 3R, 4, 4X | IP66 | Marine Outside Type (Salt Water) for USA ONLY | Wet Locations
IECEE CB: IP66
Markings: CE | UKCA
Notable: American Bureau of Shipping (ABS) Certified | 3G Vibration

Illustrated Features



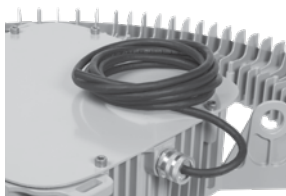
Cable Mounting

Labor saving mounting means allows for safe and secure attachment to ceiling structure for typical high bay installations. Simply clip stainless steel locking carabiner and cable assembly to four fixture connection points. Then combine four opposite looped ends of stainless steel cable within additional corrosion resistant locking carabiner to create a single attachment point above fixture.



Bracket Mounting

Sturdy bracket mounting is the best option for flush mounting the fixture to a ceiling or underneath a crane. The bracket can also be mounted to a wall, column or floor for floodlighting applications. Fixture can be adjusted to 0°, 15°, 30° and 45° set points and secured in place with bolt and lock washer combination. The bracket and fixture stand up to heavy vibrations with a 3G rating. The top of the bracket has multiple hole patterns to retrofit to competitor's mounting hardware. Bracket cannot be attached to a poletop slip-fitter.



Pre-Wired Option

10-foot-long, 600V rated, Type SOOW listed cord and weather resistant cord grip allow for quick electrical connections. There is no need to open the wiring compartment in the field. Terminate cable into electrical box and hardware fixture or field install a plug end. Standard 3-conductor version available for power connections. 5-conductor version available for power plus dimming wiring.



3/4 Inch NPT Hub with Set-screw

Easily attach an Appleton FHLM-75 Hanger Loop or rigid conduit pendant stem and secure in place with set-screw.



Safety Cable

2.44 meter (8 foot) stainless steel safety cable is threaded through the cast secondary retention points in the housing and LED heatsinks for additional safety.



U-bolt Attachment to 2" Rigid Conduit

Secure bracket to conduit with properly sized u-bolts, purchased separately.



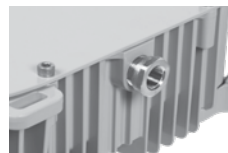
Driver Assembly

Replaceable drivers are suitable for use in wet locations and offer standard 8 kV surge and over temperature protection.



5 Pin NEMA Socket

Receptacle allows for easy attachment of photocontrol (purchase separately) or other smart lighting device. Dimming capable at 120-480 Vac. Ships with shorting cap.



M20 Metric Adapter

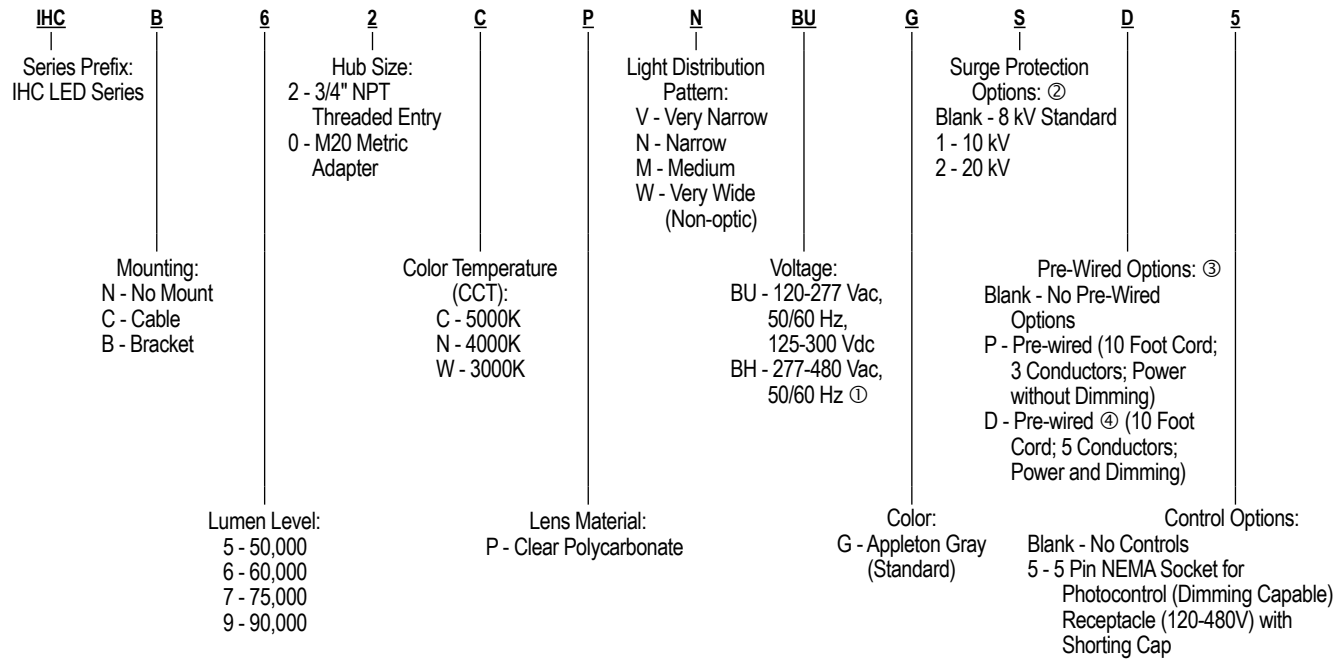
Optional adapter may be ordered. Ships with one adapter. Three remaining 3/4" NPT entries have aluminum close up plugs installed.

IHC LED Series Luminaires

High Lumen Output High Bay and Floodlight
Ordinary Locations

NEC/CEC: Type 3R, 4, 4X | IP66 | Marine Outside Type (Salt Water) for USA ONLY | Wet Locations
IECEE CB: IP66
Markings: CE | UKCA
Notable: American Bureau of Shipping (ABS) Certified | 3G Vibration

Order Using Catalog Numbering Guide — Industrial IHC LED Series Luminaires



Lumen Output (Efficacy) ⑤

Model	Light Distribution Pattern	CCT (Correlated Color Temperature)	CRI (Color Rendering Index)	Lumen Output	Efficacy (lm/W)	CCT	CRI	Lumen Output	Efficacy (lm/W)	CCT	CRI	Lumen Output	Efficacy (lm/W)
Clear Polycarbonate													
IHC*5	Very Narrow	3000K	80	47,100	129	4000K	80	48,300	133	5000K	70	50,900	140
	Narrow			46,900	129			48,100	132			50,800	140
	Medium			47,100	129			48,300	133			50,900	140
	Very Wide (Non-optic)			43,700	120			44,700	123			45,900	126
IHC*6	Very Narrow	3000K	80	56,500	135	4000K	80	57,900	139	5000K	70	61,000	146
	Narrow			56,200	135			57,600	138			60,800	146
	Medium			56,500	135			57,900	139			61,000	146
	Very Wide (Non-optic)			52,600	126			54,000	129			55,400	133
IHC*7	Very Narrow	3000K	80	70,000	128	4000K	80	71,800	132	5000K	70	75,700	139
	Narrow			69,800	128			71,500	131			75,500	139
	Medium			70,000	128			71,800	132			75,500	139
	Very Wide (Non-optic)			65,500	120			67,100	123			68,800	126
IHC*9	Very Narrow	3000K	80	84,000	133	4000K	80	86,100	136	5000K	70	91,100	144
	Narrow			83,700	133			85,800	136			91,000	144
	Medium			84,000	133			86,100	136			90,800	144
	Very Wide (Non-optic)			78,900	125			81,000	128			82,900	131

① Select BH for 277 Vac installations in facilities with power quality concerns. BH option designed with high ground fault protection and protects against dropped neutral occurrences.

② Additional Surge Protection Certifications:

10kV BU: NEC, CEC, CE/UKCA

10kV BH: NEC, CEC

20kV BU: NEC, CEC, CE/UKCA

20kV BH: NEC, CEC

③ Pre-Wired Options only available per cULus Certification. Options not available per IECCE Certification.

④ Pre-Wired Option "D" cannot be selected with Control Option "5".

⑤ All lumen values are typical (tolerance +/-10%).

IHC LED Series Luminaires

High Lumen Output High Bay and Floodlight Ordinary Locations

NEC/CEC: Type 3R, 4, 4X | IP66 | Marine Outside Type (Salt Water) for USA ONLY | Wet Locations
IECEE CB: IP66
Markings: CE | UKCA
Notable: American Bureau of Shipping (ABS) Certified | 3G Vibration

Electrical Specifications ①

Model	Voltage	Input Power (Watts)	Input Current (Amps)	Power Factor (PF)	Total Harmonic Distortion (THD)
IHC*5	120 Vac	360	3.00	> 0.9	< 20%
	277 Vac	350	1.36		
	125 Vdc	360	2.86	N/A	N/A
	300 Vdc	350	1.16		
	277 Vac	360	1.32	> 0.9	< 20%
	347 Vac	360	1.06		
	480 Vac	360	0.82		
IHC*6	120 Vac	420	3.61	> 0.9	< 20%
	277 Vac	400	1.54		
	125 Vdc	420	3.32	N/A	N/A
	300 Vdc	400	1.34		
	277 Vac	410	1.50	> 0.9	< 20%
	347 Vac	410	1.20		
	480 Vac	410	0.91		
IHC*7	120 Vac	550	4.71	> 0.9	< 20%
	277 Vac	530	2.03		
	125 Vdc	540	4.29	N/A	N/A
	300 Vdc	520	1.74		
	277 Vac	540	1.98	> 0.9	< 20%
	347 Vac	540	1.35		
	480 Vac	530	1.22		
IHC*9	120 Vac	640	5.36	> 0.9	< 20%
	277 Vac	620	2.23		
	125 Vdc	640	5.11	N/A	N/A
	300 Vdc	620	2.07		
	277 Vac	630	2.30	> 0.9	< 20%
	347 Vac	620	0.98		
	480 Vac	620	1.36		

Maximum Ambient Temperature Rating per Driver and Voltage Range

Model	Lumen Level	BU Driver		BH Driver
		120 to 208 Vac — 125 to 300 Vdc	220 to 277 Vac	277 to 480 Vac
IHC*5	50,000	75 °C (167 °F)	75 °C (167 °F)	75 °C (167 °F)
IHC*6	60,000	70 °C (158 °F)	75 °C (167 °F)	70 °C (158 °F)
IHC*7	75,000	70 °C (158 °F)	75 °C (167 °F)	70 °C (158 °F)
IHC*9	90,000	65 °C (149 °F)	70 °C (158 °F)	65 °C (149 °F)

Note: Surge Protection: Integral 8 kV surge protection. Option for up to 10 kV and 20 kV surge protection. See Catalog Numbering Guide for certification restrictions.
① All values are typical (tolerance +/-10%).

IHC LED Series Luminaires

High Lumen Output High Bay and Floodlight
Ordinary Locations

NEC/CEC: Type 3R, 4, 4X | IP66 | Marine Outside Type (Salt Water) for USA ONLY | Wet Locations

IECEE CB: IP66

Markings: CE | UKCA

Notable: American Bureau of Shipping (ABS) Certified | 3G Vibration

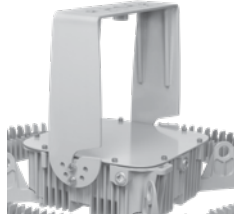
Mounting Options

Cable — Length: 550 mm (21.65 in.)

Bracket — Length: 335 mm (13.2 in.)

Threaded hook (3/4 in.) and cord

Pipe (2 in. Rigid Metal Conduit)



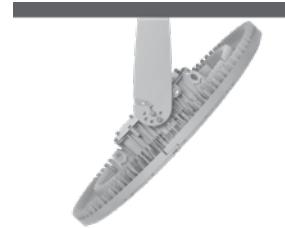
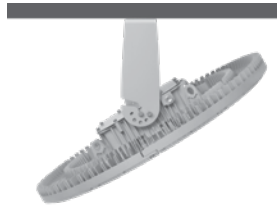
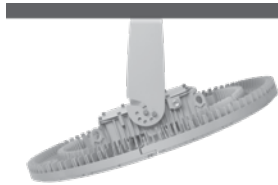
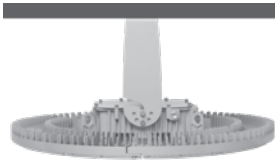
Bracket Mounting Angles — Ceiling Mounted

0°

15°

30°

45°

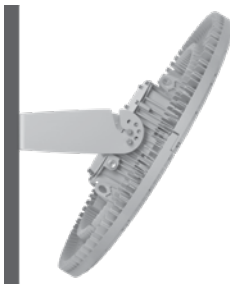
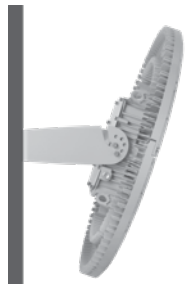


Bracket Mounting Angles — Wall Mounted

15°

30°

45°



Luminaire may be positioned facing down or up.

Bracket cannot be installed on poletop slip-fitters.

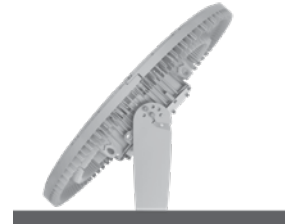
Bracket Mounting Angles — Floor Mounted

0°

15°

30°

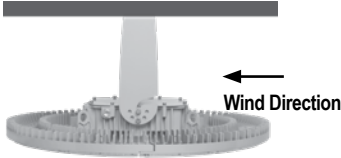
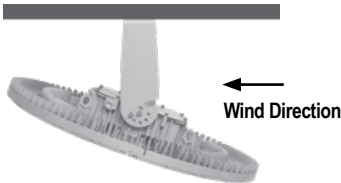
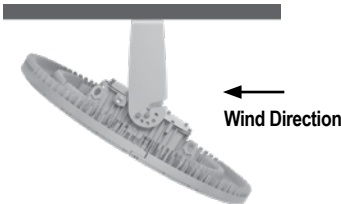
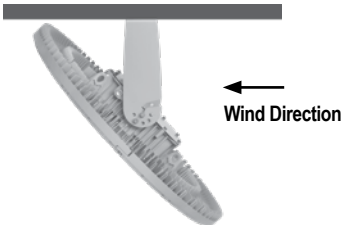
45°



IHC LED Series Luminaires

High Lumen Output High Bay and Floodlight Ordinary Locations

NEC/CEC: Type 3R, 4, 4X | IP66 | Marine Outside Type (Salt Water) for USA ONLY | Wet Locations
IECEE CB: IP66
Markings: CE | UKCA
Notable: American Bureau of Shipping (ABS) Certified | 3G Vibration

Luminaire Angle		Frontal Projected Area (FPA) ft ²	Drag Coefficient (DC)	Effective Projected Area (EPA) = FPA*DC ft ²
0°		1.73	1.2	2.08
15°		2.67	1.2	3.21
30°		4.57	1.2	5.48
45°		5.40	1.2	6.48

LED Luminaires | High Bay | Ordinary Location | NEC / CEC

IHC LED Series Luminaires

High Lumen Output High Bay and Floodlight
Ordinary Locations

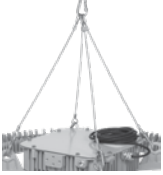
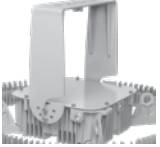


NEC/CEC: Type 3R, 4, 4X | IP66 | Marine Outside Type (Salt Water) for USA ONLY | Wet Locations

IECEE CB: IP66

Markings: CE | UKCA

Notable: American Bureau of Shipping (ABS) Certified | 3G Vibration

Accessories and Replacement Parts

Description	Weight in kg (lb)	Catalog Number
IHC LED Cable Mounting Assembly		
 <p>Assembly consists of: - (4) 550 mm (21.65 in.) stainless steel cable and locking carabiner combinations - (1) stainless steel locking carabiner Cable and carabiner combo secure to four luminaire attachment points. Opposite crimped looped ends of cables combine within remaining carabiner for attachment to ceiling structure</p>	0.5 (1.1)	IHCABLE
IHC LED Bracket Mounting Kit (Hardware Included)		
 <p>Kit includes: - (1) 335 mm (13.2 in.) long bracket - (4) 3/8-16 X 7/8 hex head stainless steel bolt and lock washer combos</p>	7.0 (15.6)	IHCBRKTL
Safety Cable		
 <p>Stainless steel - 1.22 m (4 ft)</p>	0.2 (0.4)	LEDSC
<p>Stainless steel - 2.44 m (8 ft)</p>	0.4 (0.8)	LEDSC8
Safety Support Hooks		
 <p>3/4 inch Male Hanger Loop 5/8 inch diameter wireway 75.4 kg (166 lbs.) weight rating</p>	0.2 (0.5)	FHLM-75

Replacement Drivers

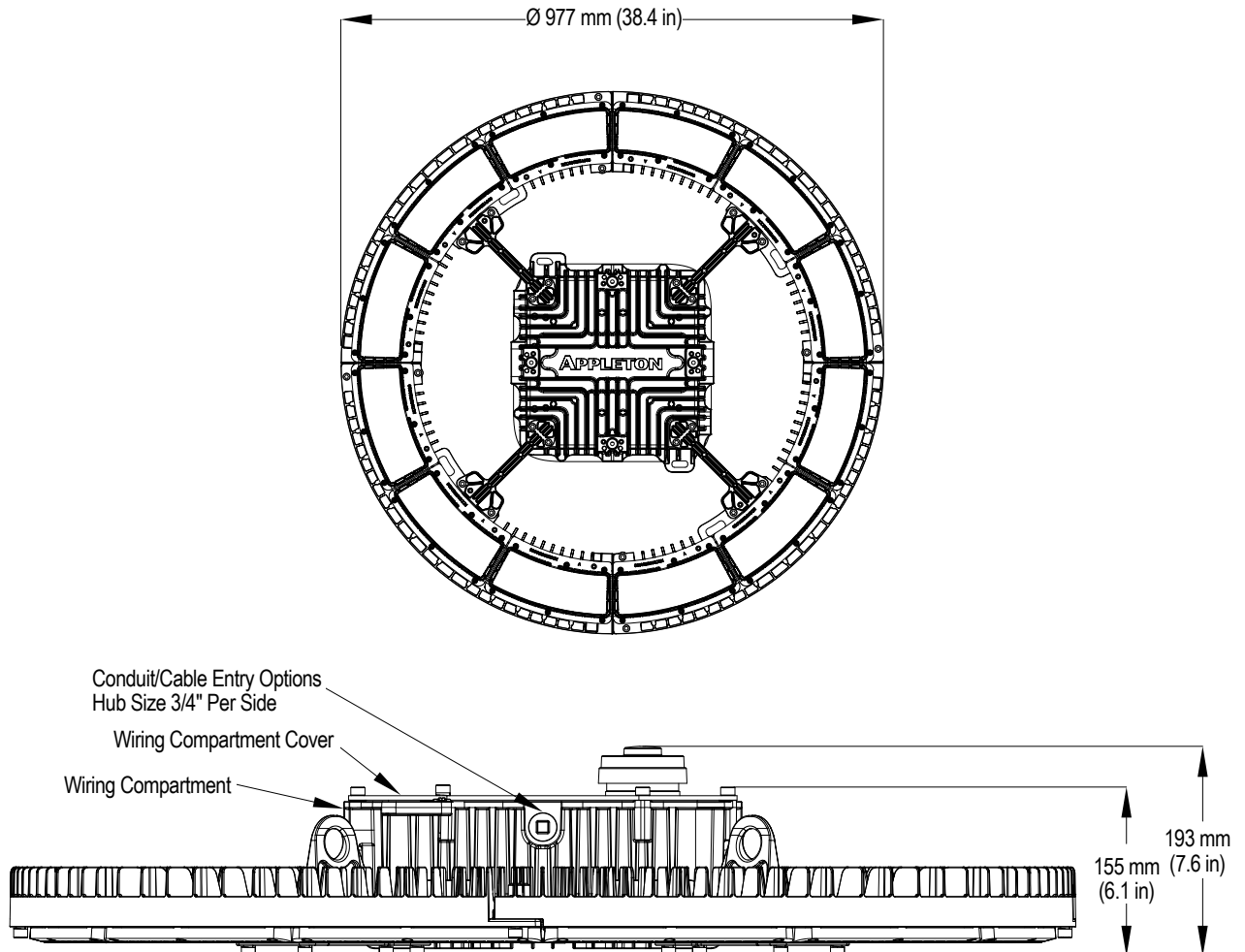
Model	Voltage	Driver Wattage	Constant Current Setting	Number of Drivers per Luminaire	Catalog Number
IHC*5	BU	240 Watt	976mA	2	APMS240UD976
IHC*5	BH	240 Watt	976mA	2	APMS240HD976
IHC*6	BU	240 Watt	1152mA	2	APMS240UD1152
IHC*6	BH	240 Watt	1152mA	2	APMS240HD1152
IHC*7	BU	240 Watt	976mA	3	APMS240UD976
IHC*7	BH	240 Watt	976mA	3	APMS240HD976
IHC*9	BU	240 Watt	1152mA	3	APMS240UD1152
IHC*9	BH	240 Watt	1152mA	3	APMS240HD1152

IHC LED Series Luminaires

High Lumen Output High Bay and Floodlight Ordinary Locations

NEC/CEC: Type 3R, 4, 4X | IP66 | Marine Outside Type (Salt Water) for USA ONLY | Wet Locations
IECEE CB: IP66
Markings: CE | UKCA
Notable: American Bureau of Shipping (ABS) Certified | 3G Vibration

Dimensions in Millimeters (Inches)



Luminaire Specifications ①

Model	LED Arrays	Drivers	Dimensions Without Bracket or NEMA Socket	Weight Without Bracket ①
IHC*5	8	2	977 x 155 mm (38.4 in. x 6.1 in.)	26.0 kg (57.4 lbs)
IHC*6	12	2	977 x 155 mm (38.4 in. x 6.1 in.)	26.9 kg (59.3 lbs)
IHC*7	12	3	977 x 155 mm (38.4 in. x 6.1 in.)	28.2 kg (62.2 lbs)
IHC*9	16	3	977 x 155 mm (38.4 in. x 6.1 in.)	32.7 kg (72 lbs)

① Fixture weight is for No Mount option, Very Wide (Non-optic) light distribution, BU driver, and no pre-wired, surge and NEMA socket options.

IHC LED Series Luminaires

High Lumen Output High Bay and Floodlight
Ordinary Locations

NEC/CEC: Type 3R, 4, 4X | IP66 | Marine Outside Type (Salt Water) for USA ONLY | Wet Locations

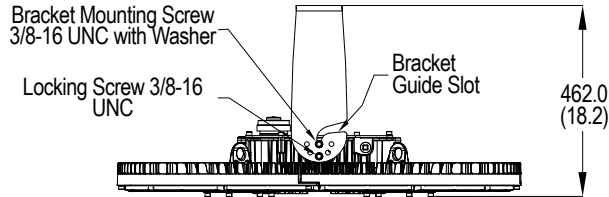
IECEE CB: IP66

Markings: CE | UKCA

Notable: American Bureau of Shipping (ABS) Certified | 3G Vibration

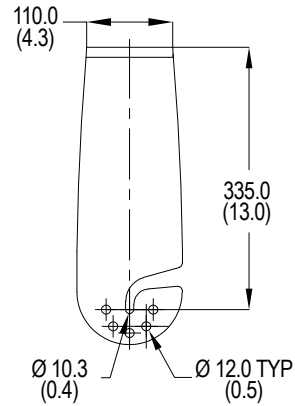
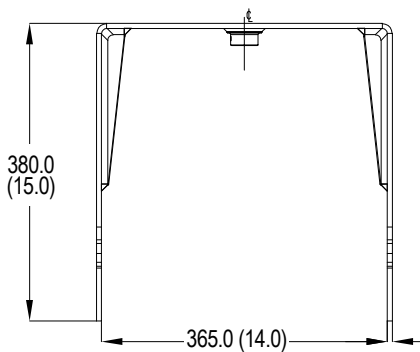
Mounting Bracket — Dimensions in Millimeters (Inches)

Bracket for 0°, 15°, 30°, and 45° Orientation with Respect to Bracket Mounting Screw

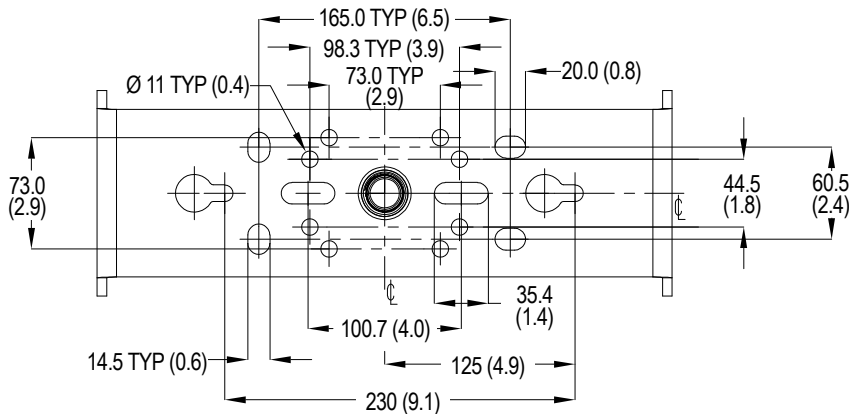


Bracket Front

Bracket Side



Bracket Top



IHC LED Series Luminaires

High Lumen Output High Bay and Floodlight Ordinary Locations

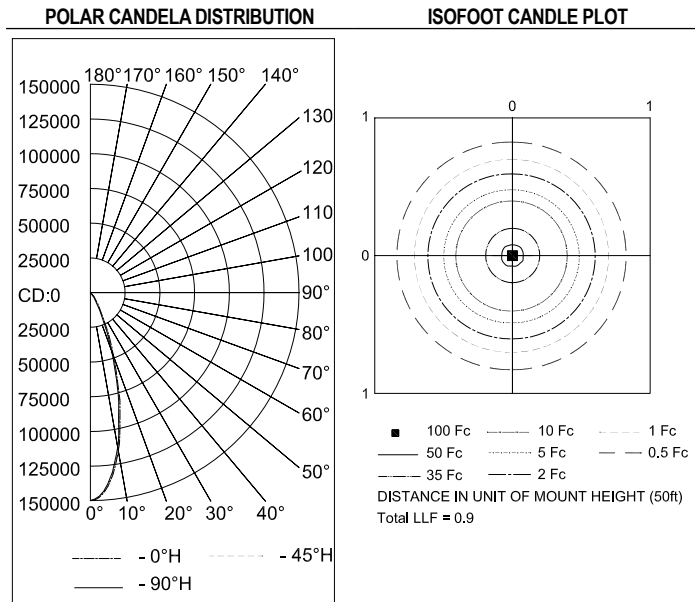
NEC/CEC: Type 3R, 4, 4X | IP66 | Marine Outside Type (Salt Water) for USA ONLY | Wet Locations
IECEE CB: IP66
Markings: CE | UKCA
Notable: American Bureau of Shipping (ABS) Certified | 3G Vibration

Photometric Data — DATA SHOWN IS ABSOLUTE

Very Narrow Distribution, Clear Polycarbonate, 5000K CCT

REPORT NUMBER: IHC5CPVBH

Luminaire Lumens 50,852



ZONAL LUMEN SUMMARY

Zone	Lumens	% Luminaire
0-30	43,530.0	85.6%
0-40	46,916.9	92.3%
0-60	49,482.5	97.3%
60-90	1,265.6	2.5%
70-100	617.2	1.2%
90-120	36.6	0.1%
0-90	50,748.1	99.8%
90-180	104.3	0.2%
0-180	50,852.4	100%

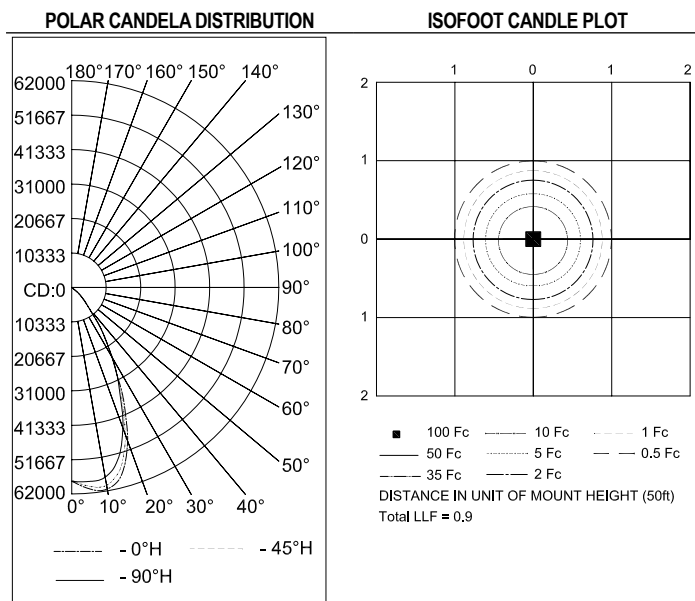
LUMENS PER ZONE

Zone	Lumens	% Total	Zone
0-10	12,376.3	24.3%	90-100
10-20	20,660.9	40.6%	100-110
20-30	10,492.9	20.6%	110-120
30-40	3,386.9	6.7%	120-130
40-50	1,565.3	3.1%	130-140
50-60	1,000.3	2.0%	140-150
60-70	672.7	1.3%	150-160
70-80	453.4	0.9%	160-170
80-90	139.5	0.3%	170-180

Narrow Distribution, Clear Polycarbonate, 5000K CCT

REPORT NUMBER: IHC5CPNBH

Luminaire Lumens 50,748



ZONAL LUMEN SUMMARY

Zone	Lumens	% Luminaire
0-30	35,444.9	69.8%
0-40	44,517.2	87.7%
0-60	48,927.1	96.4%
60-90	1,704.1	3.4%
70-100	896.8	1.8%
90-120	52.5	0.1%
0-90	50,631.2	99.8%
90-180	117.3	0.2%
0-180	50,748.4	100%

LUMENS PER ZONE

Zone	Lumens	% Total	Zone
0-10	5,548.7	10.9%	90-100
10-20	14,600.8	28.8%	100-110
20-30	15,295.3	30.1%	110-120
30-40	9,072.3	17.9%	120-130
40-50	3,176.8	6.3%	130-140
50-60	1,233.1	2.4%	140-150
60-70	844.2	1.7%	150-160
70-80	611.0	1.2%	160-170
80-90	248.9	0.5%	170-180

LED Luminaires | High Bay | Ordinary Location | NEC / CEC

IHC LED Series Luminaires

High Lumen Output High Bay and Floodlight

Ordinary Locations

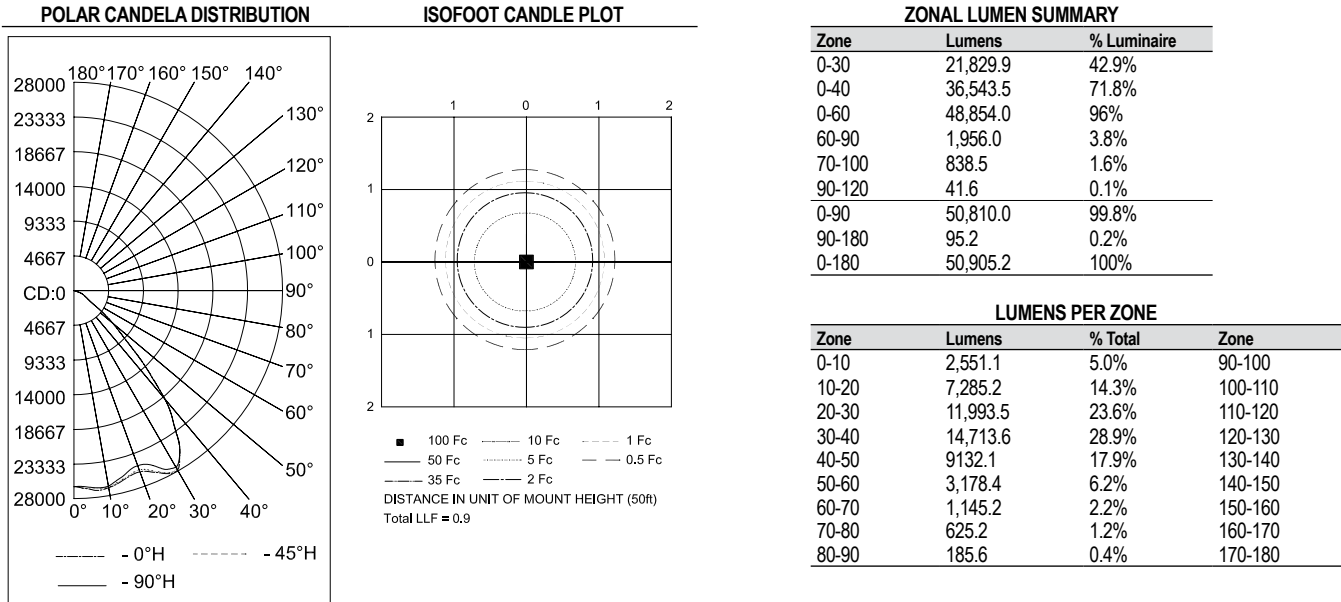
NEC/CEC: Type 3R, 4, 4X | IP66 | Marine Outside Type (Salt Water) for USA ONLY | Wet Locations
 IEC/CEB: IP66
 Markings: CE | UKCA
 Notable: American Bureau of Shipping (ABS) Certified | 3G Vibration

Photometric Data — DATA SHOWN IS ABSOLUTE

Medium Distribution, Clear Polycarbonate, 5000K CCT

REPORT NUMBER: IHC5CPMBH

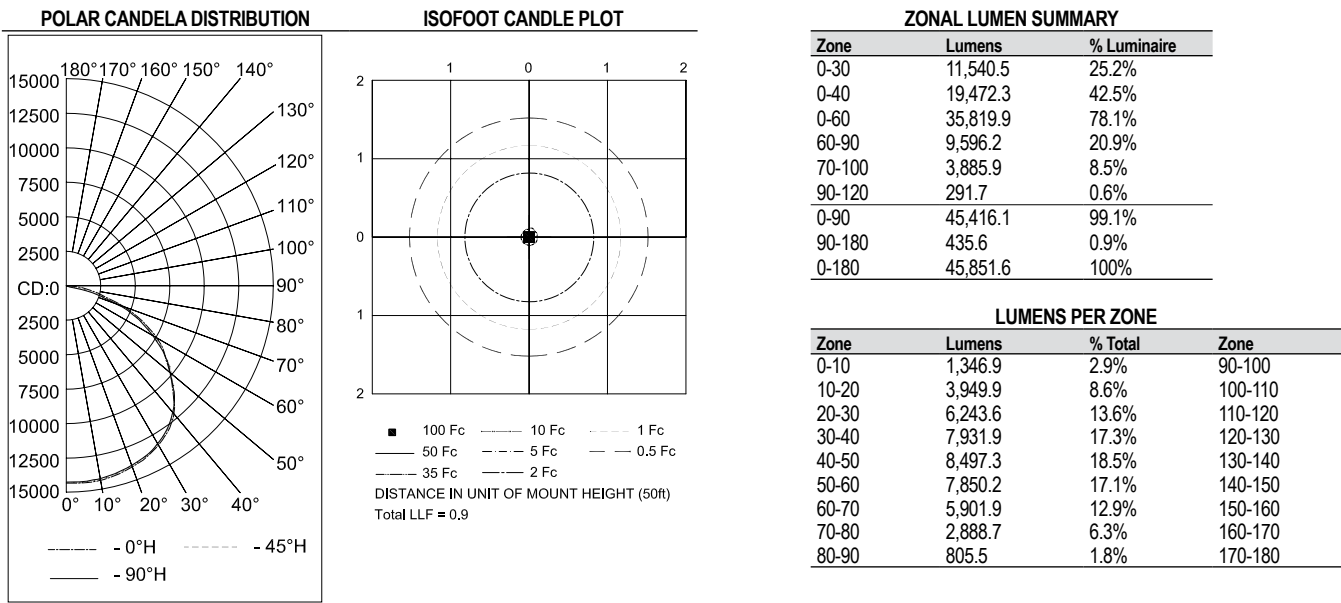
Luminaire Lumens 50,905



Very Wide (Non-Optic) Distribution, Clear Polycarbonate, 5000K CCT

REPORT NUMBER: IHC5CPWBH

Luminaire Lumens 45,853



LED Luminaires | High Bay | Ordinary Location | NEC/CEC

IHC LED Series Luminaires

High Lumen Output High Bay and Floodlight Ordinary Locations

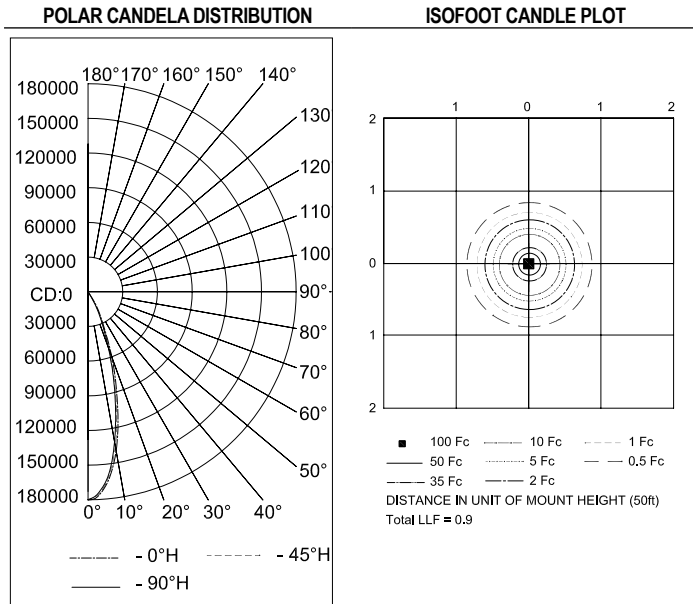
NEC/CEC: Type 3R, 4, 4X | IP66 | Marine Outside Type (Salt Water) for USA ONLY | Wet Locations
IECEE CB: IP66
Markings: CE | UKCA
Notable: American Bureau of Shipping (ABS) Certified | 3G Vibration

Photometric Data — DATA SHOWN IS ABSOLUTE

Very Narrow Distribution, Clear Polycarbonate, 5000K CCT

REPORT NUMBER: IHC6CPVBH

Luminaire Lumens 60,937



ZONAL LUMEN SUMMARY

Zone	Lumens	% Luminaire
0-30	52,162.7	85.6%
0-40	56,221.2	92.3%
0-60	59,295.7	97.3%
60-90	1,516.6	2.5%
70-100	739.6	1.2%
90-120	43.9	0.1%
0-90	60,812.2	99.8%
90-180	125.0	0.2%
0-180	60,937.2	100%

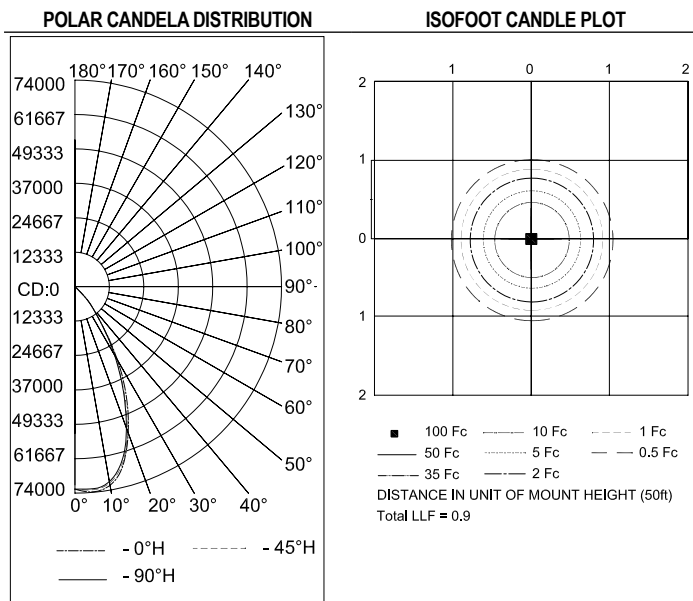
LUMENS PER ZONE

Zone	Lumens	% Total	Zone
0-10	14,830.7	24.3%	90-100
10-20	24,758.2	40.6%	100-110
20-30	12,573.8	20.6%	110-120
30-40	4,058.5	6.7%	120-130
40-50	1,875.7	3.1%	130-140
50-60	1,198.7	2.0%	140-150
60-70	806.1	1.3%	150-160
70-80	543.3	0.9%	160-170
80-90	167.2	0.3%	170-180

Narrow Distribution, Clear Polycarbonate, 5000K CCT

REPORT NUMBER: IHC6CPNBH

Luminaire Lumens 60,812



ZONAL LUMEN SUMMARY

Zone	Lumens	% Luminaire
0-30	42,588.5	70%
0-40	53,317.0	87.7%
0-60	58,669.6	96.5%
60-90	1,997.5	3.3%
70-100	989.7	1.6%
90-120	66.6	0.1%
0-90	60,667.1	99.8%
90-180	145.5	0.2%
0-180	60,812.6	100%

LUMENS PER ZONE

Zone	Lumens	% Total	Zone
0-10	6,838.4	11.2%	90-100
10-20	17,580.4	28.9%	100-110
20-30	18,169.7	29.9%	110-120
30-40	10,728.6	17.6%	120-130
40-50	3,818.9	6.3%	130-140
50-60	1,533.7	2.5%	140-150
60-70	1,052.7	1.7%	150-160
70-80	712.0	1.2%	160-170
80-90	232.9	0.4%	170-180

LED Luminaires | High Bay | Ordinary Location | NEC / CEC

IHC LED Series Luminaires

High Lumen Output High Bay and Floodlight Ordinary Locations

NEC/CEC: Type 3R, 4, 4X | IP66 | Marine Outside Type (Salt Water) for USA ONLY | Wet Locations
 IEC/CEB: IP66
 Markings: CE | UKCA
 Notable: American Bureau of Shipping (ABS) Certified | 3G Vibration

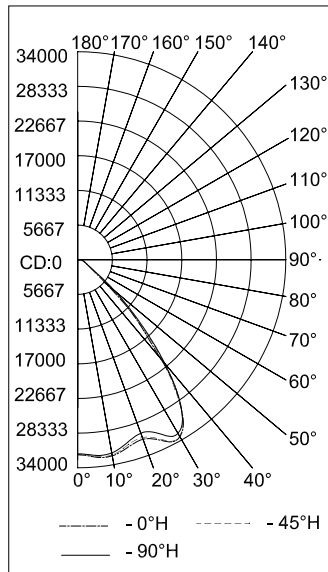
Photometric Data — DATA SHOWN IS ABSOLUTE

Medium Distribution, Clear Polycarbonate, 5000K CCT

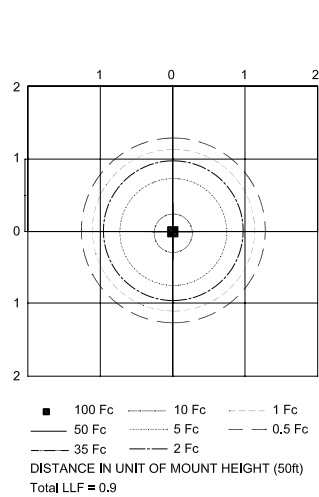
REPORT NUMBER: IHC6CPMBH

Luminaire Lumens 61,001

POLAR CANDELA DISTRIBUTION



ISOFOOT CANDLE PLOT



ZONAL LUMEN SUMMARY

Zone	Lumens	% Luminaire
0-30	26,159.5	42.9%
0-40	43,791.3	71.8%
0-60	58,543.4	96%
60-90	2,343.9	3.8%
70-100	1,004.8	1.6%
90-120	49.8	0.1%
0-90	60,887.4	99.8%
90-180	114.1	0.2%
0-180	61,001.5	100%

LUMENS PER ZONE

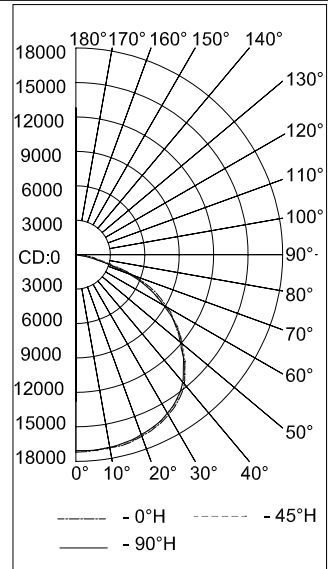
Zone	Lumens	% Total	Zone
0-10	3,057.1	5.0%	90-100
10-20	8,730.2	14.3%	100-110
20-30	14,372.2	23.6%	110-120
30-40	17,631.8	28.9%	120-130
40-50	10,943.3	17.9%	130-140
50-60	3,808.8	6.2%	140-150
60-70	1,372.3	2.2%	150-160
70-80	749.2	1.2%	160-170
80-90	222.4	.4%	170-180

Very Wide (Non-Optic) Distribution, Clear Polycarbonate, 5000K CCT

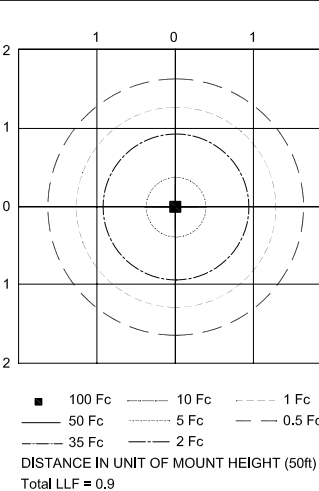
REPORT NUMBER: IHC6CPWBH

Luminaire Lumens 55,373

POLAR CANDELA DISTRIBUTION



ISOFOOT CANDLE PLOT



ZONAL LUMEN SUMMARY

Zone	Lumens	% Luminaire
0-30	13,936.4	25.2%
0-40	23,515.0	42.5%
0-60	43,256.4	78.1%
60-90	11,588.5	20.9%
70-100	4,692.7	8.5%
90-120	352.2	0.6%
0-90	54,844.9	99.1%
90-180	526.0	0.9%
0-180	55,370.9	100%

LUMENS PER ZONE

Zone	Lumens	% Total	Zone
0-10	1,626.5	2.9%	90-100
10-20	4,770.0	8.6%	100-110
20-30	7,539.9	13.6%	110-120
30-40	9,578.6	17.3%	120-130
40-50	10,261.5	18.5%	130-140
50-60	9,480.0	17.1%	140-150
60-70	7,127.2	12.9%	150-160
70-80	3,488.5	6.3%	160-170
80-90	972.7	1.8%	170-180

LED Luminaires | High Bay | Ordinary Location | NEC/CEC

IHC LED Series Luminaires

High Lumen Output High Bay and Floodlight Ordinary Locations

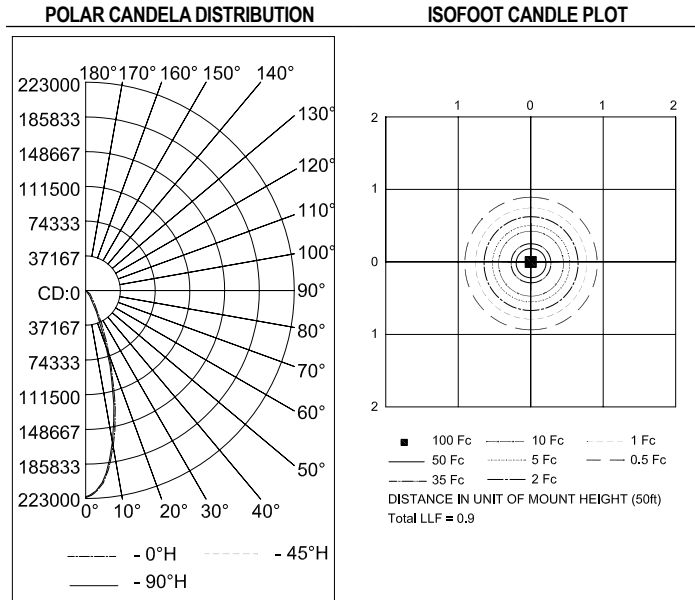
NEC/CEC: Type 3R, 4, 4X | IP66 | Marine Outside Type (Salt Water) for USA ONLY | Wet Locations
IECEE CB: IP66
Markings: CE | UKCA
Notable: American Bureau of Shipping (ABS) Certified | 3G Vibration

Photometric Data — DATA SHOWN IS ABSOLUTE

Very Narrow Distribution, Clear Polycarbonate, 5000K CCT

REPORT NUMBER: IHC7CPVBH

Luminaire Lumens 75,593



ZONAL LUMEN SUMMARY

Zone	Lumens	% Luminaire
0-30	64,708.1	85.6%
0-40	69,742.8	92.3%
0-60	73,556.6	97.3%
60-90	1,881.3	2.5%
70-100	917.4	1.2%
90-120	54.4	0.1%
0-90	75,437.9	99.8%
90-180	155.0	0.2%
0-180	75,593.0	100%

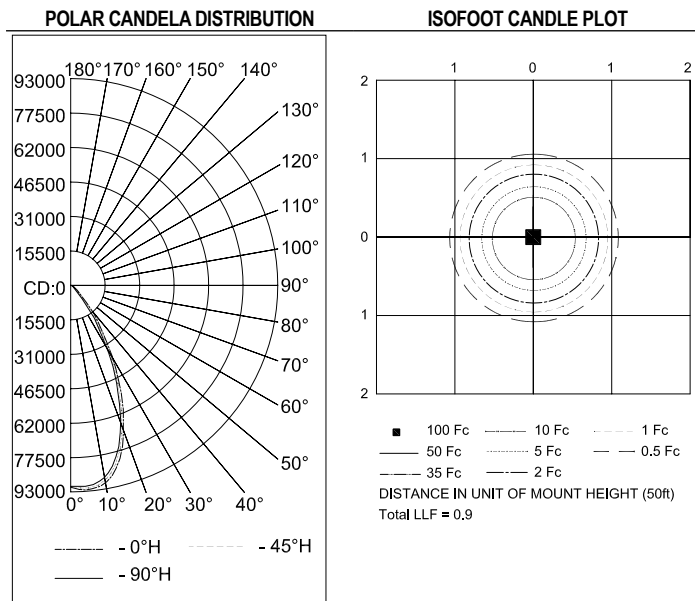
LUMENS PER ZONE

Zone	Lumens	% Total	Zone
0-10	18,397.6	24.3%	90-100
10-20	30,712.7	40.6%	100-110
20-30	15,597.9	20.6%	110-120
30-40	5,034.6	6.7%	120-130
40-50	2,326.9	3.1%	130-140
50-60	1,487.0	2.0%	140-150
60-70	999.9	1.3%	150-160
70-80	674.0	0.9%	160-170
80-90	207.4	0.3%	170-180

Narrow Distribution, Clear Polycarbonate, 5000K CCT

REPORT NUMBER: IHC7CPNBH

Luminaire Lumens 75,436



ZONAL LUMEN SUMMARY

Zone	Lumens	% Luminaire
0-30	52,909.9	70.1%
0-40	66,150.7	87.7%
0-60	72,763.2	96.5%
60-90	2,487.7	3.3%
70-100	1,234.1	1.6%
90-120	85.5	0.1%
0-90	75,251.0	99.8%
90-180	185.6	0.2%
0-180	75,436.6	100%

LUMENS PER ZONE

Zone	Lumens	% Total	Zone
0-10	8,549.2	11.3%	90-100
10-20	21,856.2	29.0%	100-110
20-30	22,504.5	29.8%	110-120
30-40	13,240.8	17.6%	120-130
40-50	4,711.7	6.2%	130-140
50-60	1,900.9	2.5%	140-150
60-70	1,310.3	1.7%	150-160
70-80	887.3	1.2%	160-170
80-90	290.1	0.4%	170-180

LED Luminaires | High Bay | Ordinary Location | NEC / CEC

IHC LED Series Luminaires

High Lumen Output High Bay and Floodlight Ordinary Locations

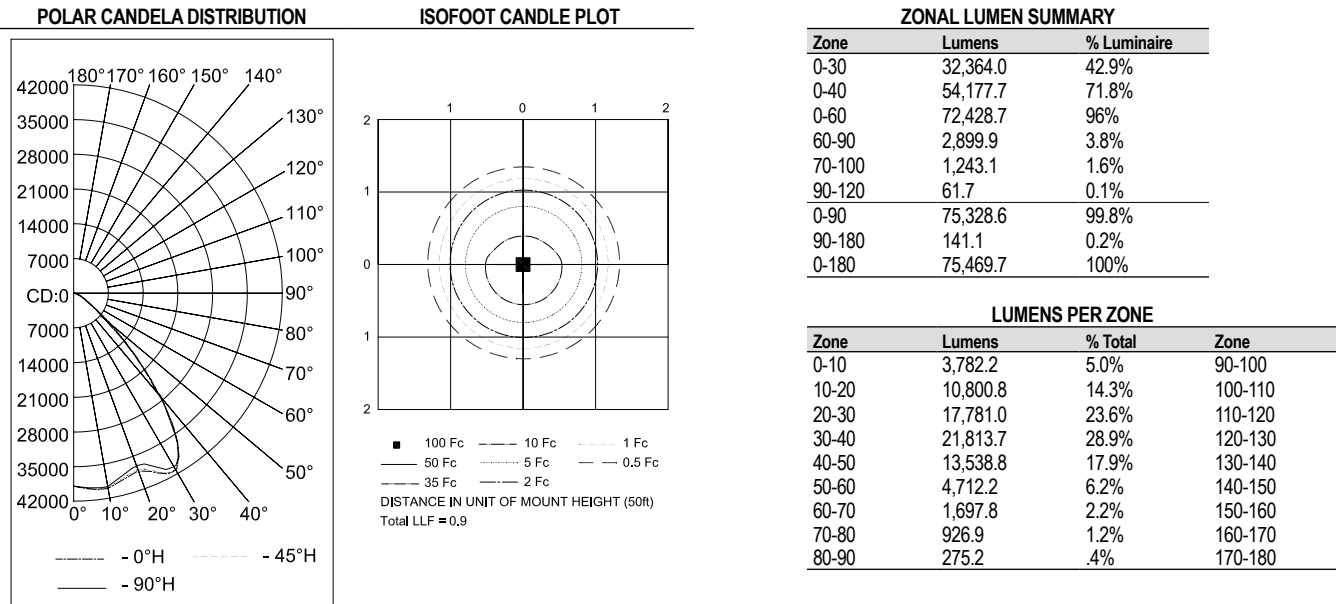
NEC/CEC: Type 3R, 4, 4X | IP66 | Marine Outside Type (Salt Water) for USA ONLY | Wet Locations
 IEC/CEB: IP66
 Markings: CE | UKCA
 Notable: American Bureau of Shipping (ABS) Certified | 3G Vibration

Photometric Data — DATA SHOWN IS ABSOLUTE

Medium Distribution, Clear Polycarbonate, 5000K CCT

REPORT NUMBER: IHC7CPMBH

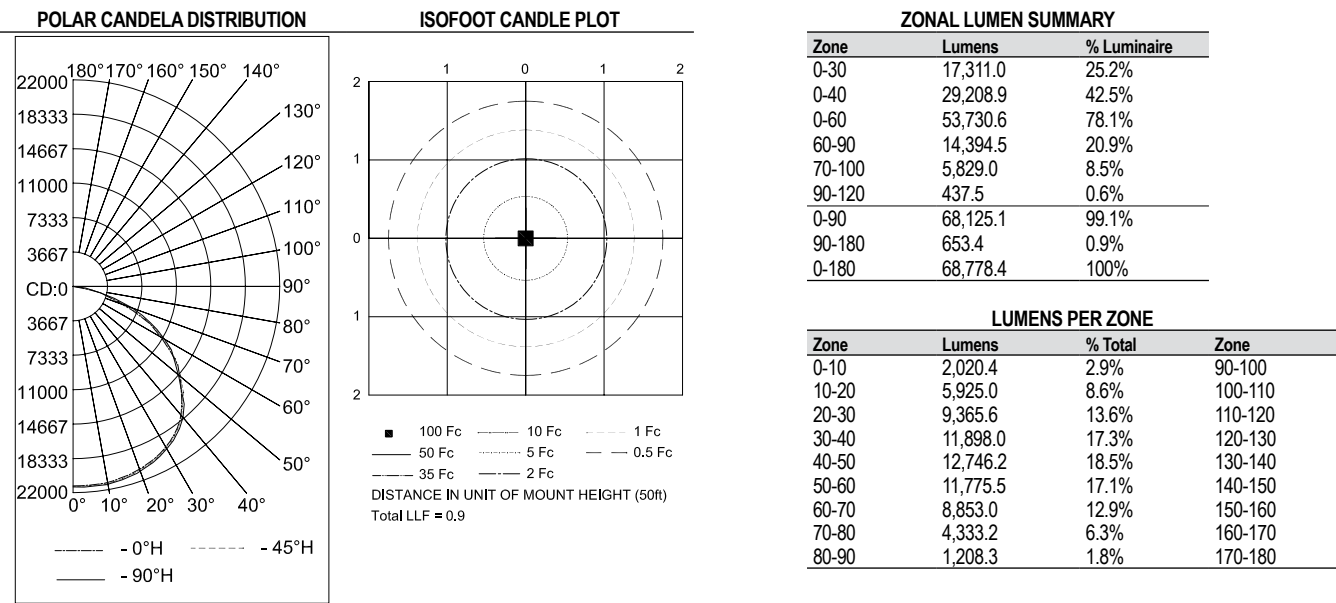
Luminaire Lumens 75,469



Very Wide (Non-Optic) Distribution, Clear Polycarbonate, 5000K CCT

REPORT NUMBER: IHC7CPWBH

Luminaire Lumens 68,781



LED Luminaires | High Bay | Ordinary Location | NEC/CEC

IHC LED Series Luminaires

High Lumen Output High Bay and Floodlight Ordinary Locations

NEC/CEC: Type 3R, 4, 4X | IP66 | Marine Outside Type (Salt Water) for USA ONLY | Wet Locations
IECEE CB: IP66
Markings: CE | UKCA
Notable: American Bureau of Shipping (ABS) Certified | 3G Vibration

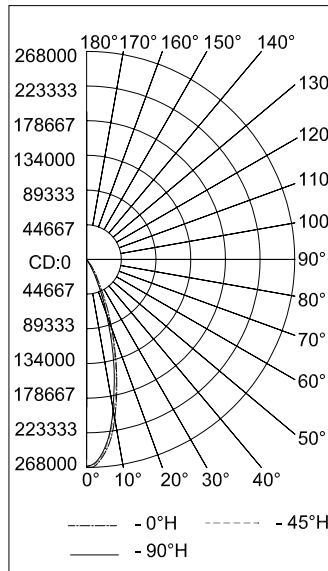
Photometric Data — DATA SHOWN IS ABSOLUTE

Very Narrow Distribution, Clear Polycarbonate, 5000K CCT

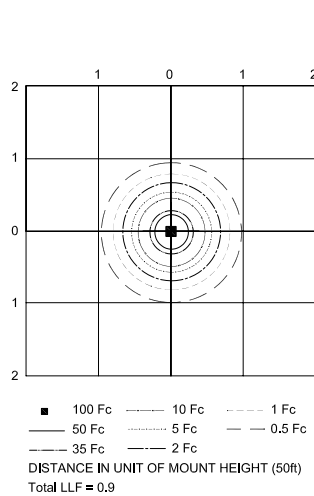
REPORT NUMBER: IHC9CPVBH

Luminaire Lumens 90,939

POLAR CANDELA DISTRIBUTION



ISOFOOT CANDLE PLOT



ZONAL LUMEN SUMMARY

Zone	Lumens	% Luminaire
0-30	77,845.2	85.6%
0-40	83,901.9	92.3%
0-60	88,490.1	97.3%
60-90	2,263.3	2.5%
70-100	1,103.8	1.2%
90-120	65.2	0.1%
0-90	90,753.4	99.8%
90-180	186.1	0.2%
0-180	90,939.5	100%

LUMENS PER ZONE

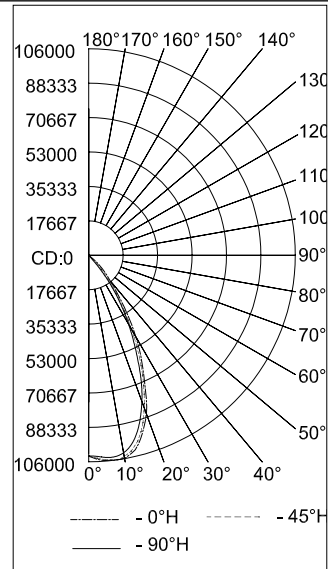
Zone	Lumens	% Total	Zone
0-10	22,132.6	24.3%	90-100
10-20	36,948.0	40.6%	100-110
20-30	18,764.5	20.6%	110-120
30-40	6,056.8	6.7%	120-130
40-50	2,799.3	3.1%	130-140
50-60	1,788.9	2.0%	140-150
60-70	1,202.9	1.3%	150-160
70-80	810.9	0.9%	160-170
80-90	249.5	0.3%	170-180

Narrow Distribution, Clear Polycarbonate, 5000K CCT

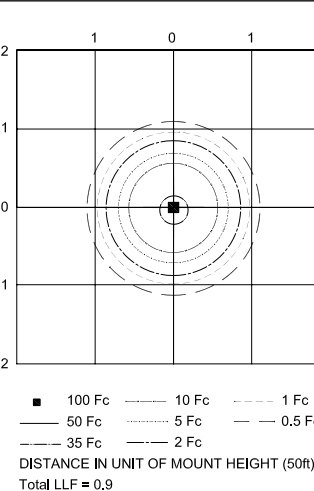
REPORT NUMBER: IHC9CPNBH

Luminaire Lumens 90,510

POLAR CANDELA DISTRIBUTION



ISOFOOT CANDLE PLOT



ZONAL LUMEN SUMMARY

Zone	Lumens	% Luminaire
0-30	63,265.6	69.9%
0-40	79,565.4	87.9%
0-60	87,465.3	96.6%
60-90	2,845.5	3.1%
70-100	1,394.3	1.5%
90-120	76.6	0.1%
0-90	90,310.9	99.8%
90-180	199.3	0.2%
0-180	90,510.2	100%

LUMENS PER ZONE

Zone	Lumens	% Total	Zone
0-10	9,800.9	10.8%	90-100
10-20	25,979.1	28.7%	100-110
20-30	27,485.6	30.4%	110-120
30-40	16,299.8	18.0%	120-130
40-50	5,692.9	6.3%	130-140
50-60	2,207.0	2.4%	140-150
60-70	1,499.2	1.7%	150-160
70-80	1,027.2	1.1%	160-170
80-90	319.1	0.4%	170-180

LED Luminaires | High Bay | Ordinary Location | NEC / CEC

IHC LED Series Luminaires

High Lumen Output High Bay and Floodlight

Ordinary Locations

NEC/CEC: Type 3R, 4, 4X | IP66 | Marine Outside Type (Salt Water) for USA ONLY | Wet Locations
 IEC/CEB: IP66
 Markings: CE | UKCA
 Notable: American Bureau of Shipping (ABS) Certified | 3G Vibration

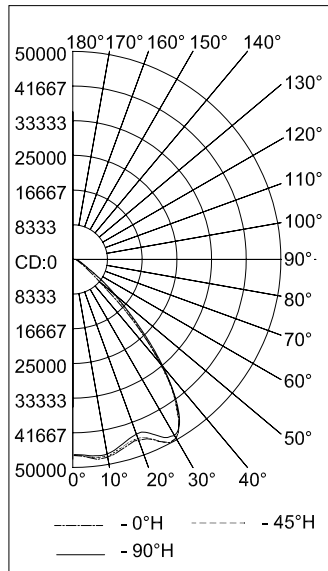
Photometric Data — DATA SHOWN IS ABSOLUTE

Medium Distribution, Clear Polycarbonate, 5000K CCT

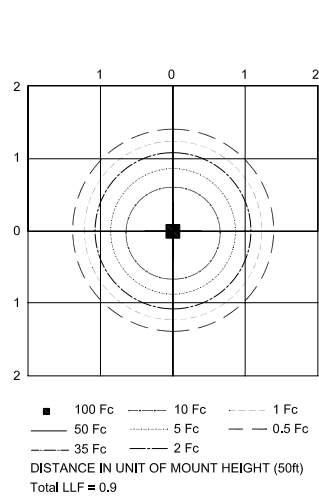
REPORT NUMBER: IHC9CPMBH

Luminaire Lumens 90,817

POLAR CANDELA DISTRIBUTION



ISOFOOT CANDLE PLOT



ZONAL LUMEN SUMMARY

Zone	Lumens	% Luminaire
0-30	38,945.7	42.9%
0-40	65,195.5	71.8%
0-60	87,158.1	96%
60-90	3,489.6	3.8%
70-100	1,496.0	1.6%
90-120	74.1	0.1%
0-90	90,647.7	99.8%
90-180	169.7	0.2%
0-180	90,817.4	100%

LUMENS PER ZONE

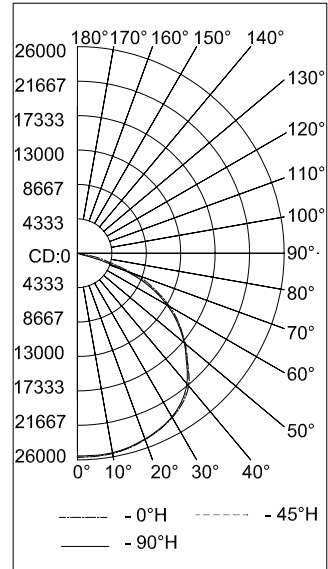
Zone	Lumens	% Total	Zone
0-10	4,551.4	5.0%	90-100
10-20	12,997.3	14.3%	100-110
20-30	21,397.1	23.6%	110-120
30-40	26,249.8	28.9%	120-130
40-50	16,292.1	17.9%	130-140
50-60	5,670.5	6.2%	140-150
60-70	2,043.1	2.2%	150-160
70-80	1,115.4	1.2%	160-170
80-90	331.1	.4%	170-180

Very Wide (Non-Optic) Distribution, Clear Polycarbonate, 5000K CCT

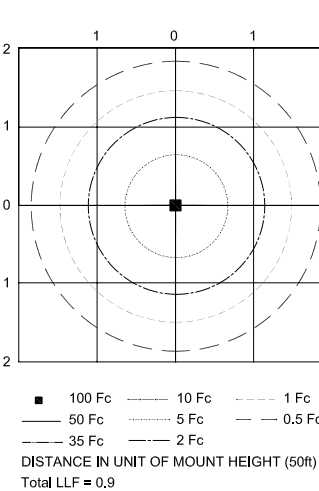
REPORT NUMBER: IHC9CPWBH

Luminaire Lumens 82,853

POLAR CANDELA DISTRIBUTION



ISOFOOT CANDLE PLOT



ZONAL LUMEN SUMMARY

Zone	Lumens	% Luminaire
0-30	20,852.3	25.1%
0-40	35,184.3	42.4%
0-60	64,722.5	78.0%
60-90	17,339.3	20.9%
70-100	7,021.8	8.5%
90-120	527.4	0.6%
0-90	82,061.7	99.0%
90-180	787.6	0.9%
0-180	82,849.3	99.9%

LUMENS PER ZONE

Zone	Lumens	% Total	Zone
0-10	2,433.7	2.9%	90-100
10-20	7,137.1	8.6%	100-110
20-30	11,281.5	13.6%	110-120
30-40	14,332.0	17.3%	120-130
40-50	15,353.6	18.5%	130-140
50-60	14,184.5	17.1%	140-150
60-70	10,664.0	12.9%	150-160
70-80	5,219.7	6.3%	160-170
80-90	1,455.5	1.8%	170-180

LED Luminaires | High Bay | Ordinary Location | NEC/CEC